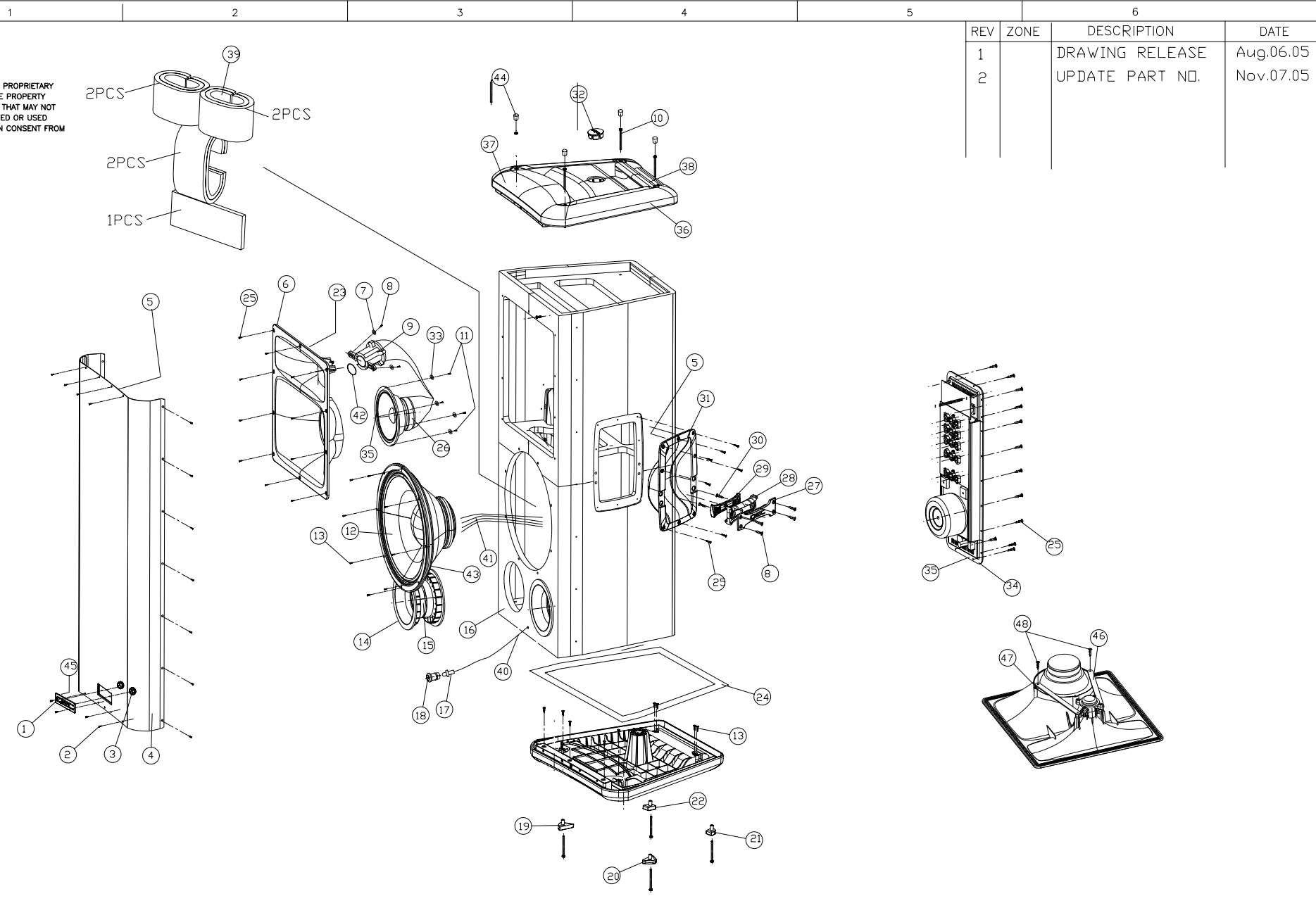




THIS DOCUMENT CONTAINS PROPRIETARY INFORMATION WHICH IS THE PROPERTY OF QSC AUDIO PRODUCTS, THAT MAY NOT BE DISCLOSED, REPRODUCED OR USED WITHOUT EXPRESS WRITTEN CONSENT FROM QSC AUDIO PRODUCTS.



REV		ZONE	DESCRIPTION	DATE
1			DRAWING RELEASE	Aug.06.05
2			UPDATE PART NO.	Nov.07.05

QSC QSC AUDIO PRODUCTS, INC.
1675 MACARTHUR BOULEVARD
COSTA MESA, CA 92626

UNLESS OTHERWISE SPECIFIED : TOLERANCES ARE				MODEL	USAGE	MATERIAL:	SIGNATURE	DATE	TITLE: HPR 3 WAY EXPLODED DRAWING			
1 decimal place	±0.1mm	31 - 120mm	±0.3mm	HPR 3WAY			DRAWN: Huisheng Wu	Jul.20.05	PART NO.			
1 - 5mm	±0.1mm	121 - 315mm	±0.5mm			FINISH:	CHECKED:		SCALE	SIZE	DRAWING NO.	REV 2
6 - 30mm	±0.2mm	OVER 315mm	±0.8mm	ALL DIMENSIONS ARE IN MM		DO NOT SCALE DRAWING	APPROVED:		NTS	A4	Exploded_3way_HPR	PAGE 1 OF 3

Item Number	Component Description	Component Item Number	Qty
1	LOGO,HPR SERIES,,,,	PL-000440-GP	1
2	SCREW,TRUSS HEAD,M4X16,JHC030-00,,	SC-000099-GP	22
3	S/L WASHER,M9.7X22X0.5,,,	NW-000105-GP	2
4	GRILL,,,HPR153F,	CH-000477-GP	1
5	GASKET,1000X10X2MM,EVA B,,,	PL-000062-GP	6
6	HORN,MF, HF,HPR153F,,,	PL-000447-GP	1
7	Z/T WASHER,M5X0.8X10MM,WZ,,	NW-000110-GP	2
8	SCREW,M5X25,PAN HEAD,DIA 8XH2.5,BLACK,	SC-000094-GP	10
9	COMPRESSION DRIVER,1.4",ALUMINUM,NEODYMIUM,CELESTION,CDX1-1425,T5455_GPE	SP-000086-GP	1
10	SCREW,PH,M5X85MM,,BLACK,	SC-000098-GP	8
11	MA SCREW,4X7 6.5MM,YW-ZN,JG1601,,	SC-000089-GP	2
12	WOOFER,15",PAPER,FERRITE,CELESTION,TRUVOX 1530,T5449_GPE	SP-000084-GP	1
13	SCREW,M5,HEXAGON-SOCKET,,,	SC-000092-GP	26
14	PORT TUBE,FOR HPR,,,,	PL-000071-GP	4
15	PAPER TUBE,FOR HPR 3WAY,15MM,,	MS-000077-GP	2
16	CABINET,FOR HPR 3WAY,,,,	SB-000052-GP	1
17	LED,3MM,BLUE SP,SLR343BB T 225419 ROHM,,,	QD-000312-GP	1
18	LED HOLDER,FOR HPR,,,,	PL-000479-GP	1
19	FEET,END CAP,HPR,RUBBER, A,,	PL-000441-GP	1
20	FEET,END CAP,HPR,RUBBER, B,,	PL-000442-GP	1
21	FEET,END CAP,HPR,RUBBER, C,,	PL-000443-GP	1
22	FEET,END CAP,HPR,RUBBER, D,,	PL-000444-GP	1
23	GRILLE,GASKET,FOR QBASS,,,	PL-000067-GP	5
24	GASKET,FOR QBASS END CAP (1M),,,,	PL-000068-GP	4
25	SCREW WOOD,M4X20,BIND HEAD BZ,,,	SC-000100-GP	46
26	MIDRANGE,6.5",PAPER,FERRITE,CELESTION,TRUVOX 0615,T5457_GPE	SP-000085-GP	1
27	TOP HANDLE,FOR HPR,SIDE HANDLE,,	CH-000494-GP	2
28	RUBBER GRIP,FOR HPR SIDE HANDLE,,,,	PL-000072-GP	2
29	BOTTOM HANDLE,FOR HPR,SIDE HANDLE,,	CH-000523-GP	2
30	SCREW,M5X12,PH BLK ZN,,,	SC-000096-GP	4
31	HANDLE CAP,FOR HPR,,,,	PL-000076-GP	2
32	PLUG ENDCAP,FOR HPR 3WAY,,,,	PL-000073-GP	2
33	SPRING WASHER,M4X0.8X7,MM YEL,,	NW-000106-GP	4
34	AMP MODULE,,HPR153F,120V,	WP-001536-00	1
35	EVA GASKET,5X500,,,,	PL-000066-GP	5
36	ENDCAP,FOR HPR-2WAY/3WAY,,,,	PL-000069-GP	2

Item Number	Component Description	Component Item Number	Qty
37	FRONT HANDLE, FOR HPR, ENDCAP,,	CH-000491-GP	2
38	REAR HANDLE, FOR HPR, ENDCAP,,	CH-000493-GP	2
39	ACOUSTIC WOOL, 200X600X30,,	MS-000074-GP	7
40	WIRE, BLACK&BLACK, 26 AWG TWIN,,, 1080MM, UL2468	WC-000420-GP	1
41	#16 AWG WIRE, UL1015 PIN, T65-6Y-2,,,,	WC-000418-GP	1
42	GASKET, D32XD26.5X1MM, EVA BK,,,	PL-000061-GP	1
43	GASKET, 1300X10X4MM, EVA BK,,,	PL-000063-GP	1
44	RUBBER COVER, FOR HPR HANDLE HOLE,,,,	PL-000074-GP	4
45	FOAM STRIP, MP1, 406.4X6X4, SP8296,,	PL-000065-GP	1
46	MOUNTING PLATE, POWDER COATED,, HPR-3WAY,	CH-000574-GP	2
47	MOUNTING BOSS,,, HPR-3WAY,	CH-000575-GP	2
48	K5004025102, M4X7.8M, JGC046-00,,,	SC-000088-GP	2