



STD17NF03L STD17NF03L-1

N-CHANNEL 30V - 0.038Ω - 17A - DPAK/IPAK
STripFET™II MOSFET

Table 1: General Features

TYPE	V _{DSS}	R _{DS(on)}	I _D
STD17NF03L	30 V	< 0.05 Ω	17 A
STD17NF03L-1	30 V	< 0.05 Ω	17 A

- TYPICAL R_{DS(on)} = 0.038Ω
- EXCEPTIONAL dv/dt CAPABILITY
- LOW GATE CHARGE AT 100°C
- APPLICATION ORIENTED CHARACTERIZATION
- 100% AVALANCHE TESTED

DESCRIPTION

This MOSFET is the latest development of STMicroelectronics unique "Single Feature Size™" strip-based process. The resulting transistor shows extremely high packing density for low on-resistance, rugged avalanche characteristics and less critical alignment steps therefore a remarkable manufacturing reproducibility.

APPLICATIONS

- DC-DC & DC-AC CONVERTERS
- MOTOR CONTROL, AUDIO AMPLIFIERS
- HIGH CURRENT, HIGH SPEED SWITCHING
- SOLENOID AND RELAY DRIVERS
- AUTOMOTIVE ENVIRONMENT

Figure 1: Package

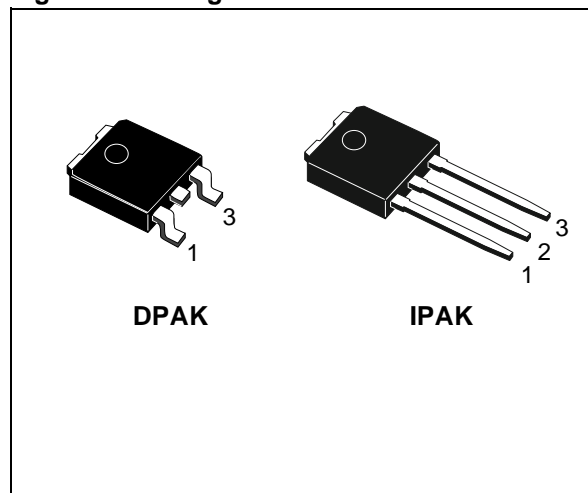


Figure 2: Internal Schematic Diagram

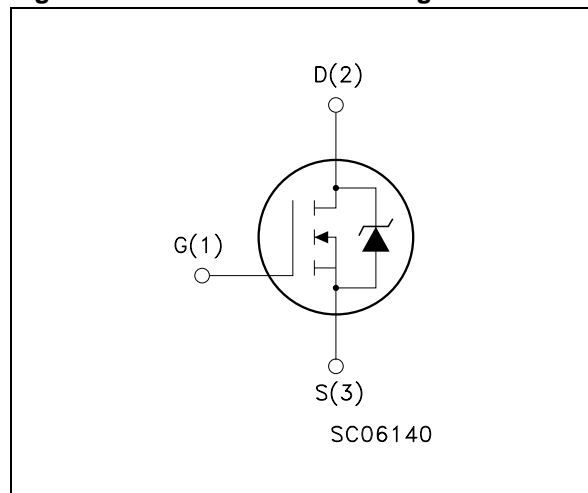


Table 2: Order Codes

SALES TYPE	MARKING	PACKAGE	PACKAGING
STD17NF03LT4	D17NF03L@	DPAK	TAPE & REEL
STD17NF03L-1	D17NF03L@	IPAK	TUBE

Table 3: Absolute Maximum ratings

Symbol	Parameter	Value	Unit
V_{DS}	Drain-source Voltage ($V_{GS} = 0$)	30	V
V_{DGR}	Drain-gate Voltage ($R_{GS} = 20\text{ k}\Omega$)	30	V
V_{GS}	Gate- source Voltage	± 16	V
I_D	Drain Current (continuous) at $T_C = 25^\circ\text{C}$	17	A
I_D	Drain Current (continuous) at $T_C = 100^\circ\text{C}$	12	A
$I_{DM}(\bullet)$	Drain Current (pulsed)	68	A
P_{TOT}	Total Dissipation at $T_C = 25^\circ\text{C}$	30	W
	Derating Factor	0.2	W/ $^\circ\text{C}$
dv/dt (1)	Peak Diode Recovery voltage slope	7	V/ns
E_{AS} (2)	Single Pulse Avalanche Energy	200	mJ
T_{stg}	Storage Temperature	-55 to 175	$^\circ\text{C}$
T_j	Operating Junction Temperature	175	$^\circ\text{C}$

(1) $I_{SD} \leq 17\text{A}$, $di/dt \leq 300\text{A}/\mu\text{s}$, $V_{DD} \leq V_{(BR)DSS}$, $T_j \leq T_{JMAX}$.

(2) Starting $T_j=25^\circ\text{C}$, $I_D=8.5\text{A}$, $V_{DD}=15\text{V}$

(\bullet) Pulse width limited by safe operating area

Table 4: Thermal Data

Rthj-case	Thermal Resistance Junction-case Max	5.0	$^\circ\text{C}/\text{W}$
Rthj-amb	Thermal Resistance Junction-ambient Max	100	$^\circ\text{C}/\text{W}$
T_l	Maximum Lead Temperature For Soldering Purpose	275	$^\circ\text{C}$

ELECTRICAL CHARACTERISTICS ($T_{CASE} = 25^\circ\text{C}$ UNLESS OTHERWISE SPECIFIED)
Table 5: Off

Symbol	Parameter	Test Conditions	Min.	Typ.	Max.	Unit
$V_{(BR)DSS}$	Drain-source Breakdown Voltage	$I_D = 250\ \mu\text{A}$, $V_{GS} = 0$	30			V
I_{DSS}	Zero Gate Voltage Drain Current ($V_{GS} = 0$)	$V_{DS} = \text{Max Rating}$ $V_{DS} = \text{Max Rating}$, $T_C = 125^\circ\text{C}$			1 10	μA μA
I_{GSS}	Gate-body Leakage Current ($V_{DS} = 0$)	$V_{GS} = \pm 16\text{V}$			± 100	nA

Table 6: On

Symbol	Parameter	Test Conditions	Min.	Typ.	Max.	Unit
$V_{GS(th)}$	Gate Threshold Voltage	$V_{DS} = V_{GS}$, $I_D = 250\ \mu\text{A}$	1	1.5	2.2	V
$R_{DS(on)}$	Static Drain-source On Resistance	$V_{GS} = 10\text{V}$, $I_D = 8.5\text{A}$ $V_{GS} = 5\text{V}$, $I_D = 8.5\text{A}$		0.038 0.045	0.05 0.06	Ω Ω

ELECTRICAL CHARACTERISTICS (CONTINUED)

Table 7: Dynamic

Symbol	Parameter	Test Conditions	Min.	Typ.	Max.	Unit
g_{fs} (1)	Forward Transconductance	$V_{DS} > I_{D(on)} \times R_{DS(on)max}$, $I_D = 8.5A$		12		S
C_{iss} C_{oss} C_{rss}	Input Capacitance Output Capacitance Reverse Transfer Capacitance	$V_{DS} = 25V$, $f = 1\text{ MHz}$, $V_{GS} = 0$		320 155 28		pF pF pF

Table 8: Switching On

Symbol	Parameter	Test Conditions	Min.	Typ.	Max.	Unit
$t_{d(on)}$ t_r	Turn-on Delay Time Rise Time	$V_{DD} = 15V$, $I_D = 8.5A$ $R_G = 4.7\Omega$, $V_{GS} = 5V$ (see Figure 16)		11 100		ns ns
Q_g Q_{gs} Q_{gd}	Total Gate Charge Gate-Source Charge Gate-Drain Charge	$V_{DD} = 24V$, $I_D = 17A$, $V_{GS} = 5V$		4.8 2.25 1.7	6.5	nC nC nC

Table 9: Switching Off

Symbol	Parameter	Test Conditions	Min.	Typ.	Max.	Unit
$t_{d(off)}$ t_f	Turn-off-Delay Time Fall Time	$V_{DD} = 15V$, $I_D = 8.5A$, $R_G = 4.7\Omega$, $V_{GS} = 5V$ (see Figure 16)		25 22		ns ns
$t_{r(off)}$ t_f t_c	Off-voltage Rise Time Fall Time Cross-over Time	$V_{clamp} = 24V$, $I_D = 17A$ $R_G = 4.7\Omega$, $V_{GS} = 5V$ (see Figure 17)		22 55 75		ns ns ns

Table 10: Source Drain Diode

Symbol	Parameter	Test Conditions	Min.	Typ.	Max.	Unit
I_{SD}	Source-drain Current				22	A
I_{SDM} (2)	Source-drain Current (pulsed)				88	A
V_{SD} (1)	Forward On Voltage	$I_{SD} = 17A$, $V_{GS} = 0$			1.5	V
t_{rr} Q_{rr} I_{RRM}	Reverse Recovery Time Reverse Recovery Charge Reverse Recovery Current	$I_{SD} = 17A$, $di/dt = 100A/\mu s$, $V_{DD} = 15V$, $T_j = 150^\circ C$ (see test circuit, Figure 5)		28 18 1.3		ns nC A

(1) Pulsed: Pulse duration = 300 μs , duty cycle 1.5 %.

(2) Pulse width limited by safe operating area.

Figure 3: Safe Operating Area

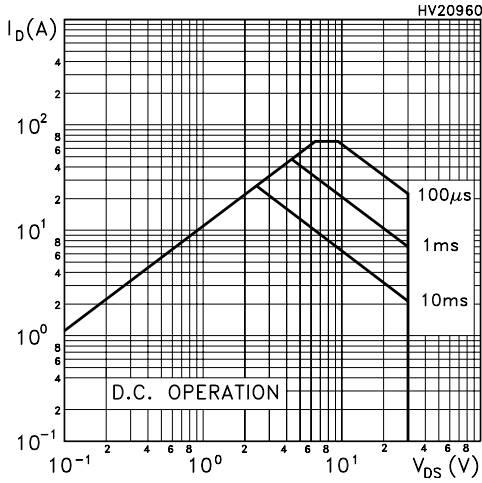


Figure 4: Output Characteristics

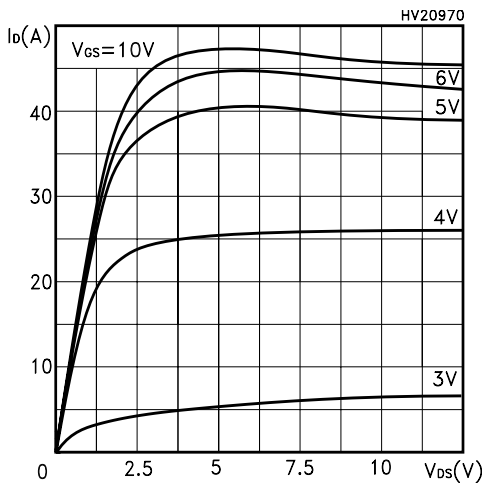


Figure 5: Transconductance

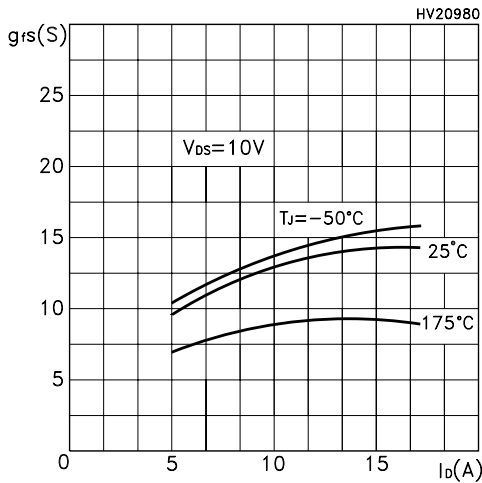


Figure 6: Thermal Impedance

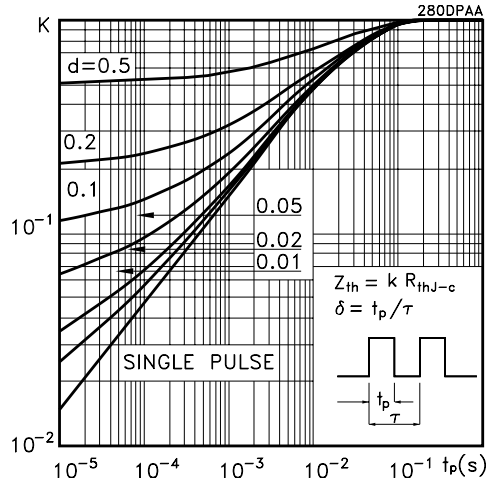


Figure 7: Transfer Characteristics

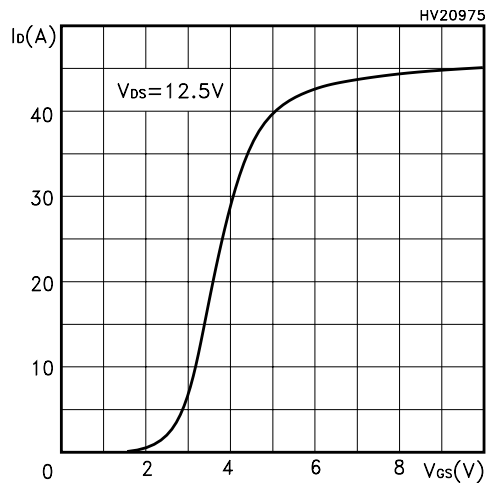


Figure 8: Static Drain-source On Resistance

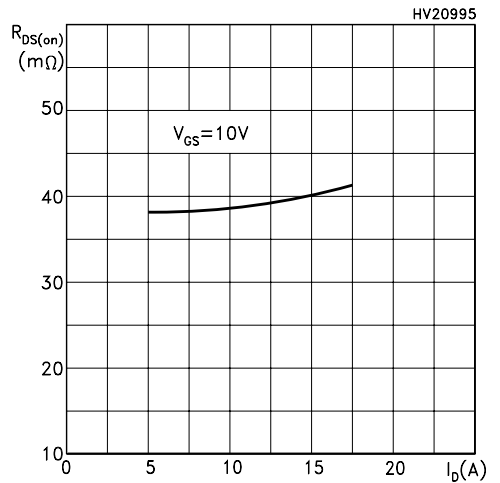


Figure 9: Gate Charge vs Gate-source Voltage

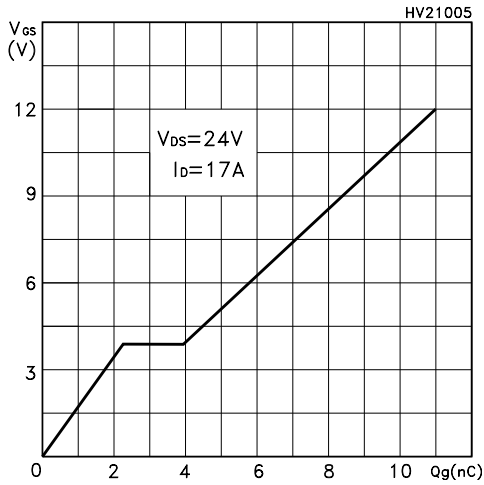


Figure 10: Normalized Gate Threshold Voltage vs Temperature

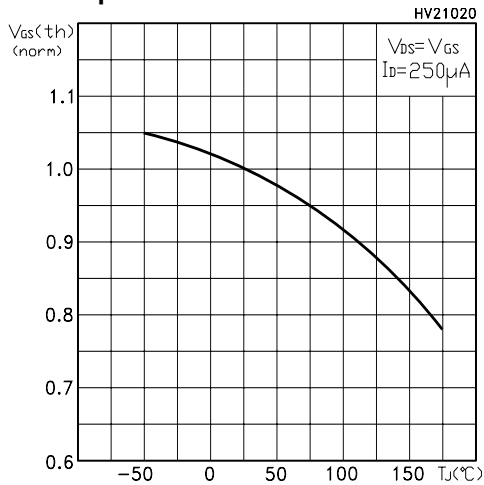


Figure 11: Source-Drain Diode Forward Characteristics

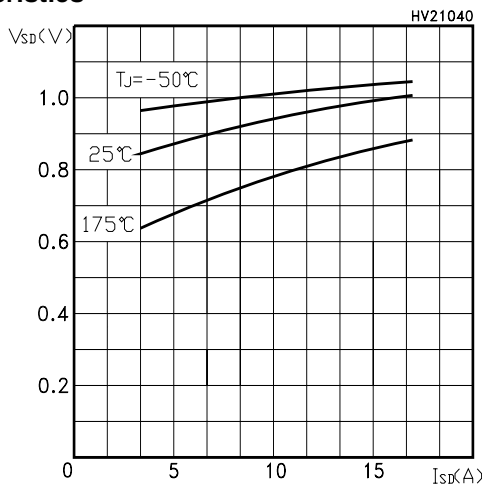


Figure 12: Capacitance Variations

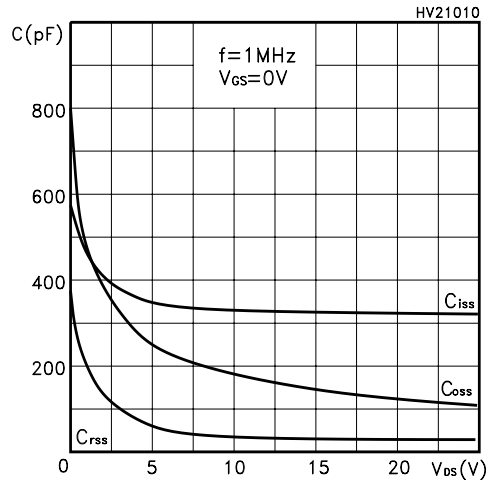


Figure 13: Normalized On Resistance vs Temperature

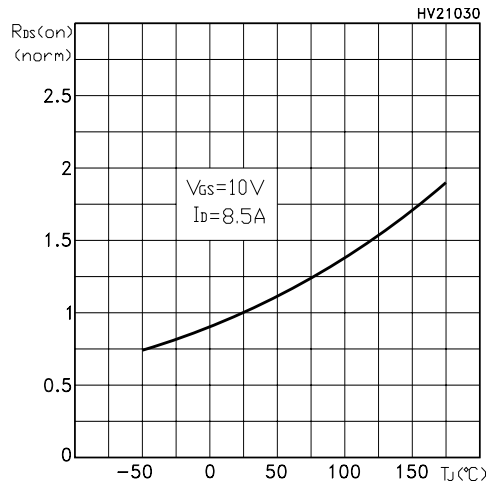


Figure 14: Normalized Breakdown Voltage vs Temperature

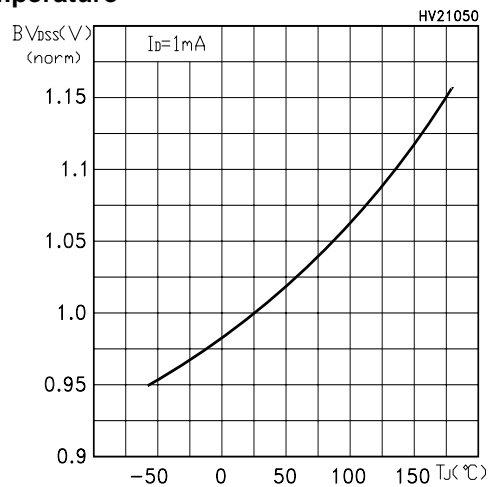


Figure 15: Unclamped Inductive Load Test Circuit



Figure 16: Switching Times Test Circuit For Resistive Load

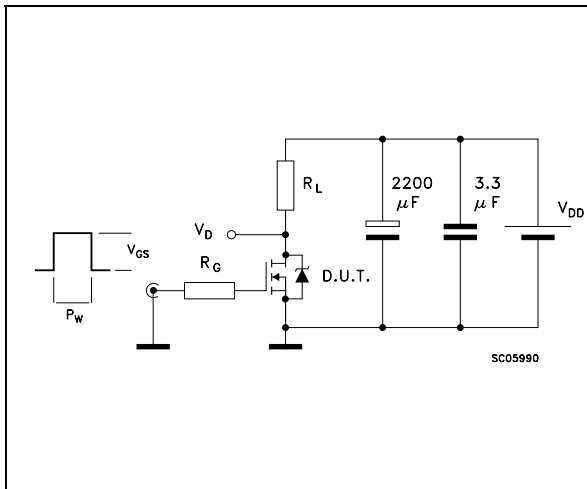


Figure 17: Test Circuit For Inductive Load Switching and Diode Recovery Times

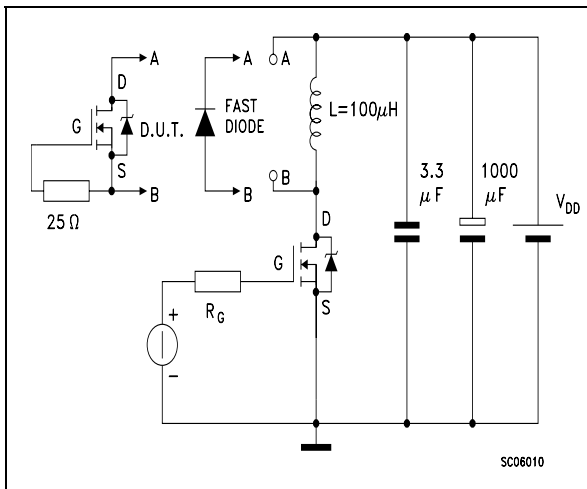


Figure 18: Unclamped Inductive Waferform

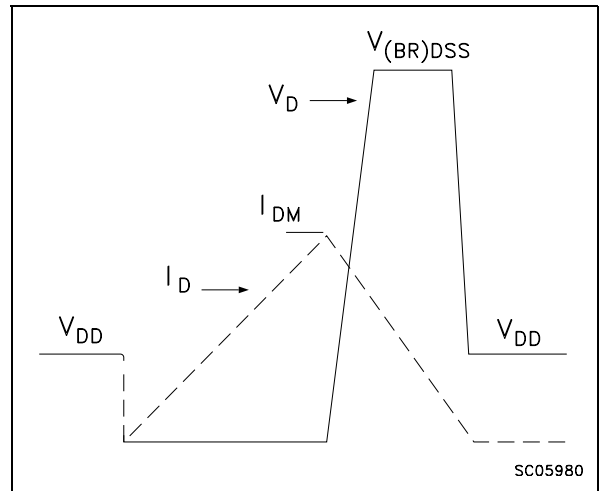
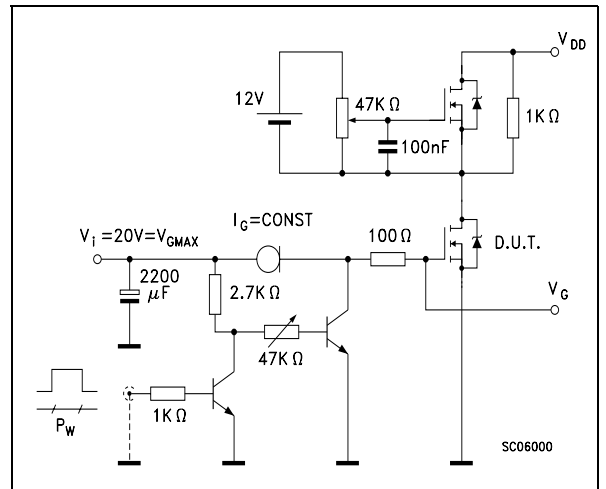
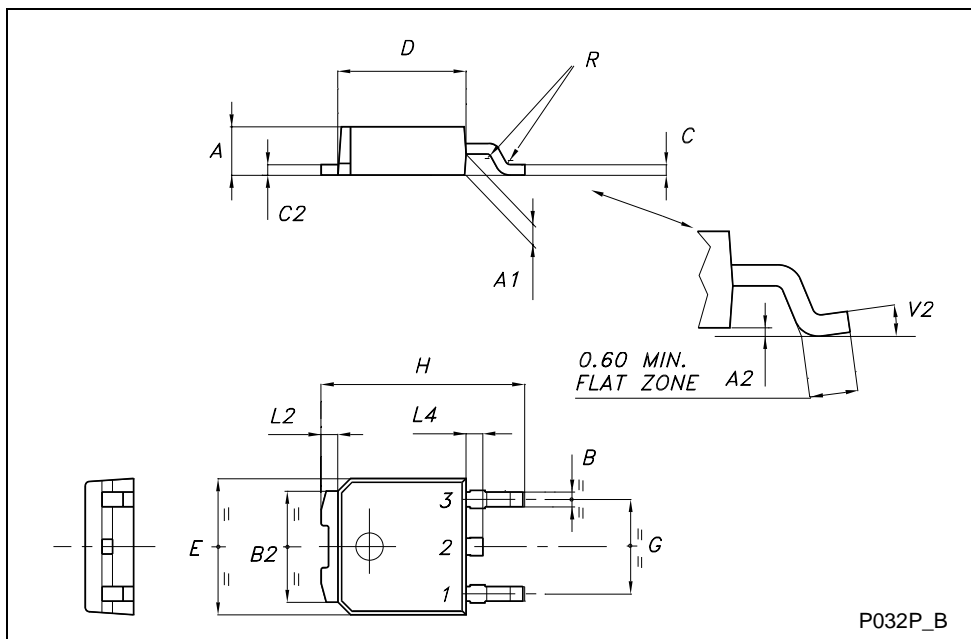


Figure 19: Gate Charge Test Circuit



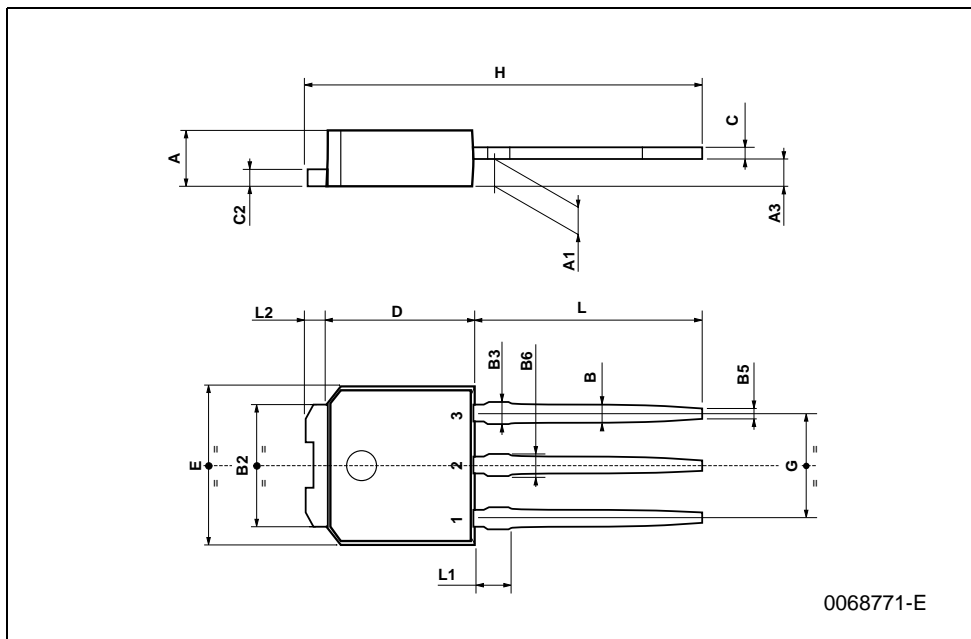
TO-252 (DPAK) MECHANICAL DATA

DIM.	mm			inch		
	MIN.	TYP.	MAX.	MIN.	TYP.	MAX.
A	2.20		2.40	0.087		0.094
A1	0.90		1.10	0.035		0.043
A2	0.03		0.23	0.001		0.009
B	0.64		0.90	0.025		0.035
B2	5.20		5.40	0.204		0.213
C	0.45		0.60	0.018		0.024
C2	0.48		0.60	0.019		0.024
D	6.00		6.20	0.236		0.244
E	6.40		6.60	0.252		0.260
G	4.40		4.60	0.173		0.181
H	9.35		10.10	0.368		0.398
L2		0.8			0.031	
L4	0.60		1.00	0.024		0.039
V2	0°		8°	0°		0°

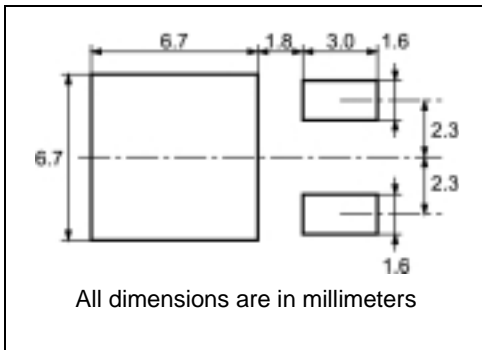


TO-251 (IPAK) MECHANICAL DATA

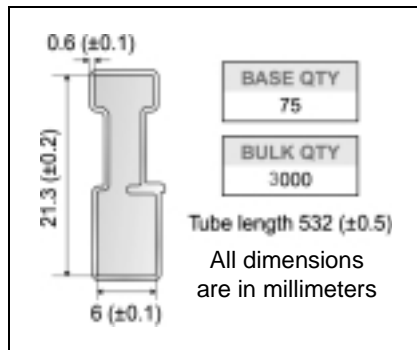
DIM.	mm			inch		
	MIN.	TYP.	MAX.	MIN.	TYP.	MAX.
A	2.2		2.4	0.086		0.094
A1	0.9		1.1	0.035		0.043
A3	0.7		1.3	0.027		0.051
B	0.64		0.9	0.025		0.031
B2	5.2		5.4	0.204		0.212
B3			0.85			0.033
B5		0.3			0.012	
B6			0.95			0.037
C	0.45		0.6	0.017		0.023
C2	0.48		0.6	0.019		0.023
D	6		6.2	0.236		0.244
E	6.4		6.6	0.252		0.260
G	4.4		4.6	0.173		0.181
H	15.9		16.3	0.626		0.641
L	9		9.4	0.354		0.370
L1	0.8		1.2	0.031		0.047
L2		0.8	1		0.031	0.039



DPAK FOOTPRINT



TUBE SHIPMENT (no suffix)*



TAPE AND REEL SHIPMENT (suffix "T4")*

REEL MECHANICAL DATA

DIM.	mm		inch	
	MIN.	MAX.	MIN.	MAX.
A		330		12.992
B	1.5		0.059	
C	12.8	13.2	0.504	0.520
D	20.2		0.795	
G	16.4	18.4	0.645	0.724
N	50		1.968	
T		22.4		0.881

TAPE MECHANICAL DATA

DIM.	mm		inch	
	MIN.	MAX.	MIN.	MAX.
A0	6.8	7	0.267	0.275
B0	10.4	10.6	0.409	0.417
B1		12.1		0.476
D	1.5	1.6	0.059	0.063
D1	1.5		0.059	
E	1.65	1.85	0.065	0.073
F	7.4	7.6	0.291	0.299
K0	2.55	2.75	0.100	0.108
P0	3.9	4.1	0.153	0.161
P1	7.9	8.1	0.311	0.319
P2	1.9	2.1	0.075	0.082
R	40		1.574	
W	15.7	16.3	0.618	0.641

BASE QTY 2500 **BULK QTY** 2500

* on sales type

Table 11: Revision History

Date	Revision	Description of Changes
08-June-2004	2	New Stylesheet. Datasheet according to PCN DSG-TRA/04/532
19-Oct-2004	3	Modified value in title

Information furnished is believed to be accurate and reliable. However, STMicroelectronics assumes no responsibility for the consequences of use of such information nor for any infringement of patents or other rights of third parties which may result from its use. No license is granted by implication or otherwise under any patent or patent rights of STMicroelectronics. Specifications mentioned in this publication are subject to change without notice. This publication supersedes and replaces all information previously supplied. STMicroelectronics products are not authorized for use as critical components in life support devices or systems without express written approval of STMicroelectronics.

The ST logo is a registered trademark of STMicroelectronics

All other names are the property of their respective owners

© 2004 STMicroelectronics - All Rights Reserved

STMicroelectronics group of companies

Australia - Belgium - Brazil - Canada - China - Czech Republic - Finland - France - Germany - Hong Kong - India - Israel - Italy - Japan - Malaysia - Malta - Morocco - Singapore - Spain - Sweden - Switzerland - United Kingdom - United States of America

This datasheet has been download from:

www.datasheetcatalog.com

Datasheets for electronics components.