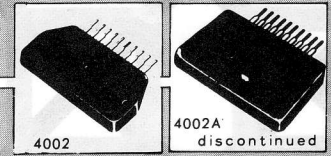


Case outline 4002  
**STK-011,**  
 4002 4002, 4002A  
**015, 016**

thick film hybrid IC

6.5 to 15Wmin  
 AF POWER AMP.



These are scheduled to be discontinued in the near future.

**Features**

- ©IMST, 1 Channel by 1 Power Supply.
- AF output power of STK-015: 10W min.
- AF output power of STK-011: 6.5W min.
- AF output power of STK-016: 15W min.

**MAXIMUM RATINGS / Ta=25°C**

		STK-011	STK-015	STK-016	unit
Maximum Supply Voltage	V <sub>CC</sub> max (pin 3 to 1)	38	48	54	V
Operating Case Temperature	T <sub>C</sub>	→	90	85	°C
Storage Temperature	T <sub>stg</sub>	→	-30 to +100	←	°C
Allowable Load Shorting Time	t <sub>s</sub> recommended operation condition, rated output power, f=50Hz	→	2	←	sec

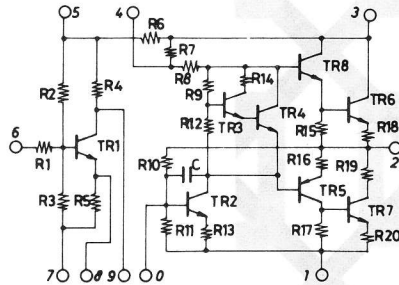
**RECOMMENDED OPERATION CONDITION / Ta=25°C**

		STK-011	STK-015	STK-016	unit
Recommended Supply Voltage	V <sub>CC</sub>	25	32	38	V
Load Resistance	R <sub>L</sub>	8	8	8	ohm

**OPERATION CHARACTERISTICS / Ta=25°C, in recommended condition, R<sub>g</sub>=600ohm, f=1kHz**

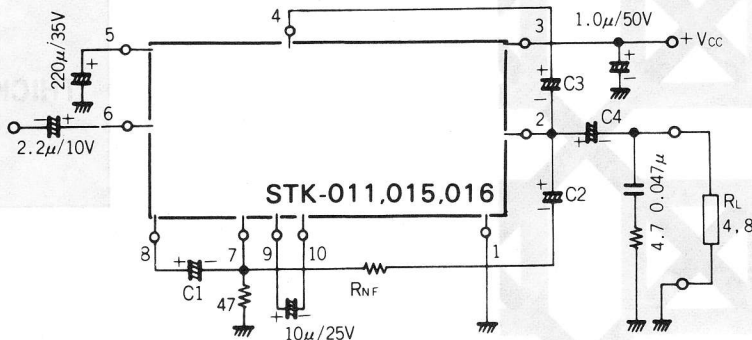
		STK-011	STK-015	STK-016	unit
Quiescent Current	I <sub>CCO</sub>	→	50	←	mAmax
Output Power	P <sub>o</sub> THD=2.0%	6.5	—	—	Wmin
	THD=1.0%	—	10	15	Wmin
Voltage Gain	V <sub>G</sub> P <sub>o</sub> =0.1W	35	33	33	dB
Distortion	THD P <sub>o</sub> =0.1W	1.0	0.5	0.3	%max
Input Resistance	r <sub>i</sub> P <sub>o</sub> =0.1W	→	40k	←	ohm
Output Resistance	r <sub>o</sub> P <sub>o</sub> =0.1W	→	0.2	←	ohm
Power Bandwidth	PBW THD=2%, -3dB	30 to 30k	—	—	Hz
	THD=1%, -3dB	—	30 to 30 k	←	Hz

**EQUIVALENT CIRCUIT**



[www.audiolabga.com](http://www.audiolabga.com)

**APPLICATION: AF Power Amp.**



	STK-011	STK-015	STK-016
C1	47μ/6.3V	47μ/6.3V	47μ/25V
C2	22μ/25V	22μ/35V	22μ/35V
C3	22μ/25V	47μ/25V	47μ/25V
C4	1000μ/25V	1000μ/35V	2200μ/35V
R <sub>NF</sub>	3k	2.2k	2.2k

See the operation characteristics on this specification.