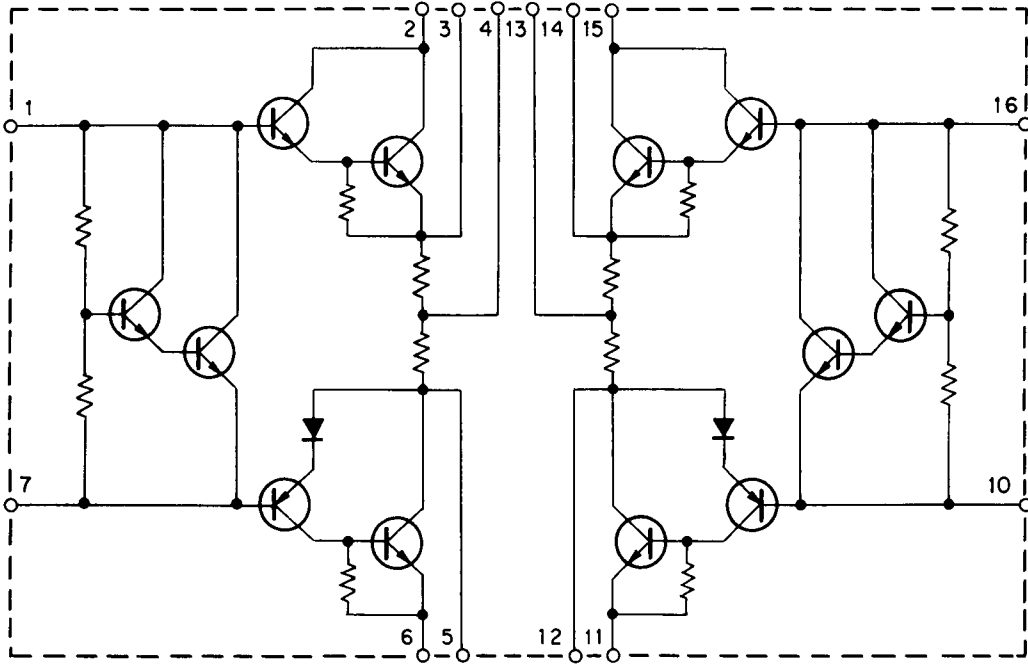


APPLICATION	2-CHANNEL 20W MIN. AF POWER AMPLIFIER OUTPUT STAGE (D. P. P.)	NAME	STK-2125ST
MODEL	SX-400	TYPE	HYBRID LINEAR IC

EQUIVALENT CIRCUIT



PIN FUNCTION

Pin No.	Function
1	Input (+)
2	Positive power supply
3	NPN emitter
4	Output
5	PNP emitter
6	Negative power supply
7	Input (-)
8	NC
9	

Pin No.	Function
10	Input (-)
11	Negative power supply
12	PNP emitter
13	Output
14	NPN emitter
15	Positive power supply
16	Input (+)