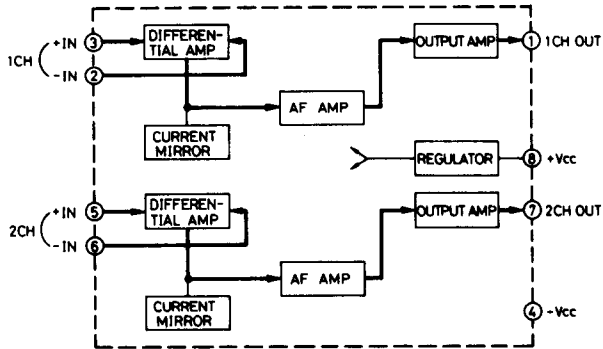


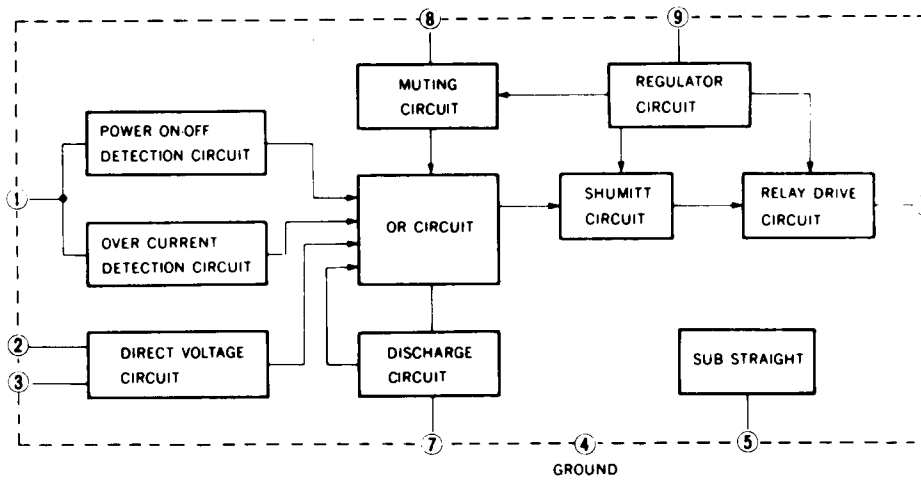
BLOCK DIAGRAM OF IC'S

- This is the basic block diagram of the inside circuit of IC. In an actual circuit, there may be sometimes idle terminals or some different functions other than the basic circuit.

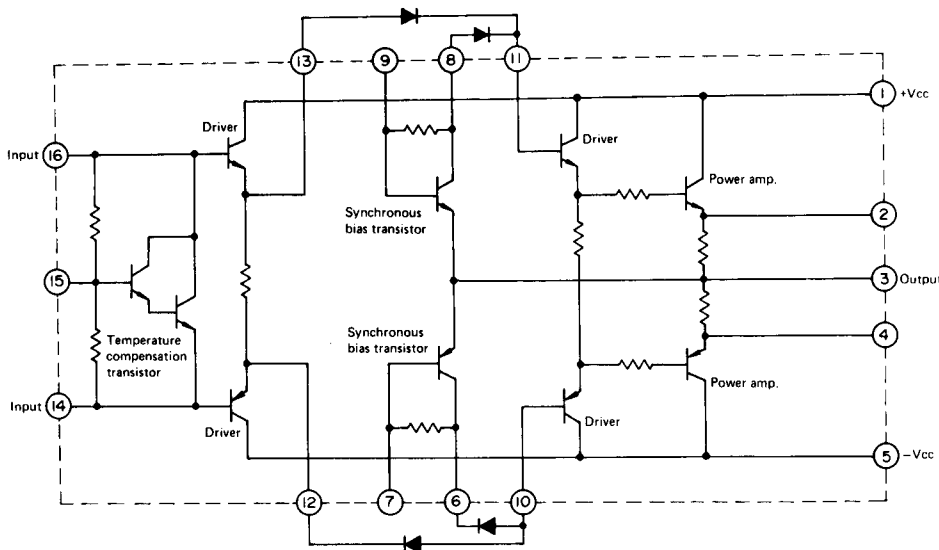


IC101 (SVINJM4559DS)
Equalizer amplifier

IC303 (AN6552F)
Tone control amplifier



IC601 (SVITA7317P) Speakers protection



IC301, 302 (SVISTK8050) Synchronous bias circuit and power amplifier

Ref N	
INTEG	
IC101	
IC301, 3	
IC303	
IC601	
TRANS	
Q101~1	
Q301, 30	
Q303~3	
Q307~3	
603	
Q311, 3	
Q313, 3	
Q315, 3	
Q401	
Q402	
Q601, 6	
Q604	
DIODE	
D301, 3	
D303~3	
D311, 3	
D403~4	
D407, 4	
D451	
D601, 6	
606	
D603	
COILS	
L301, 3	
P T	