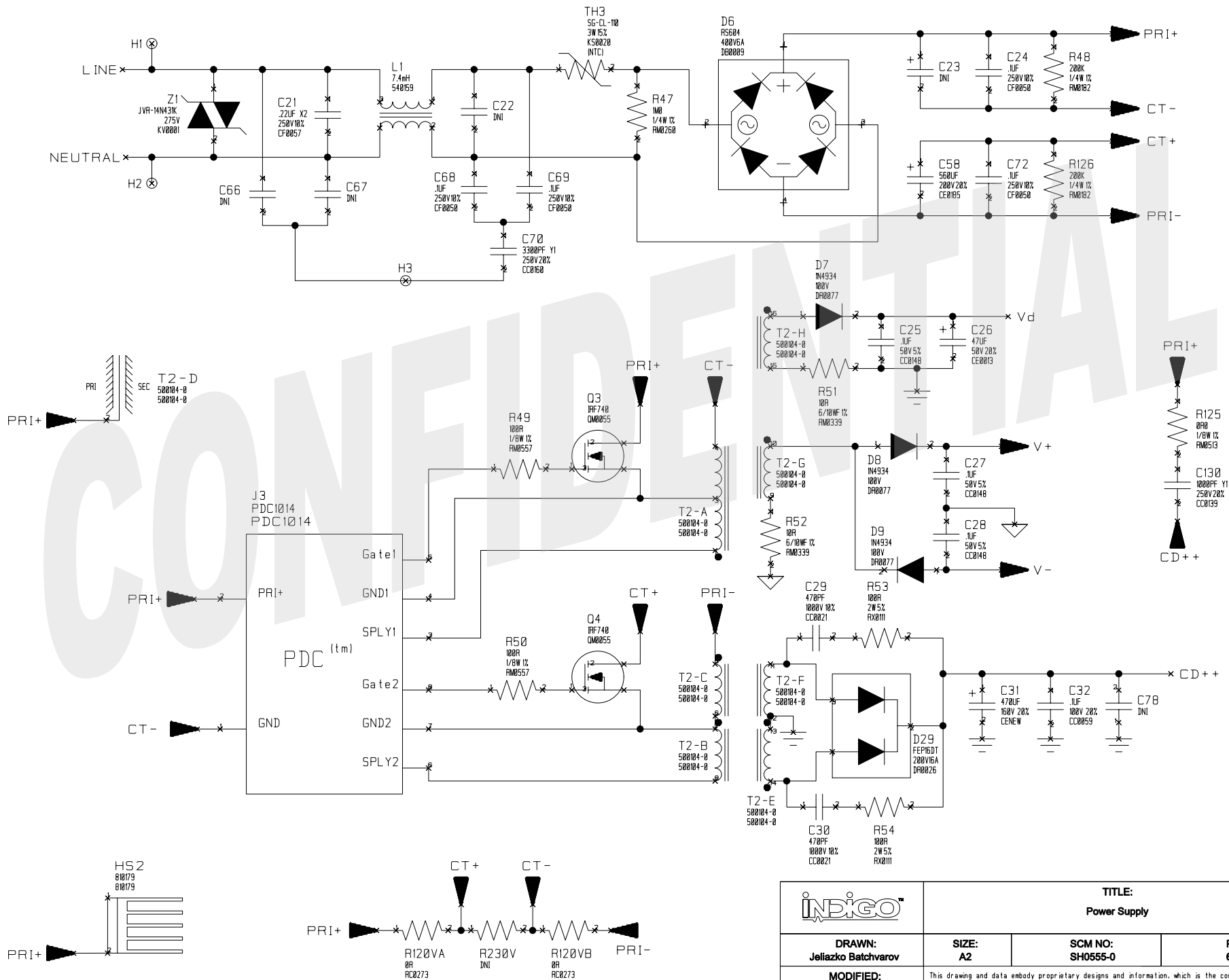
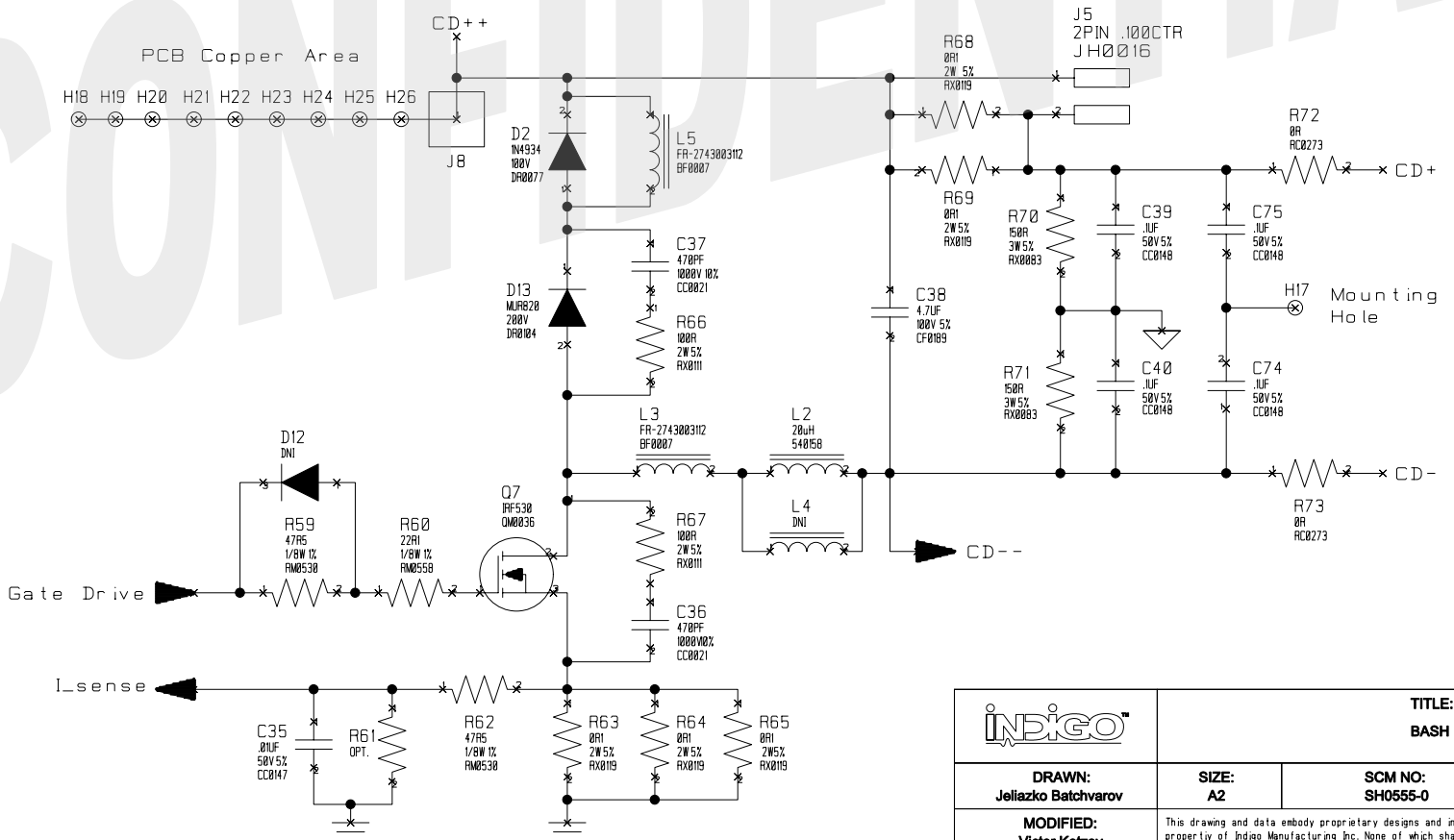
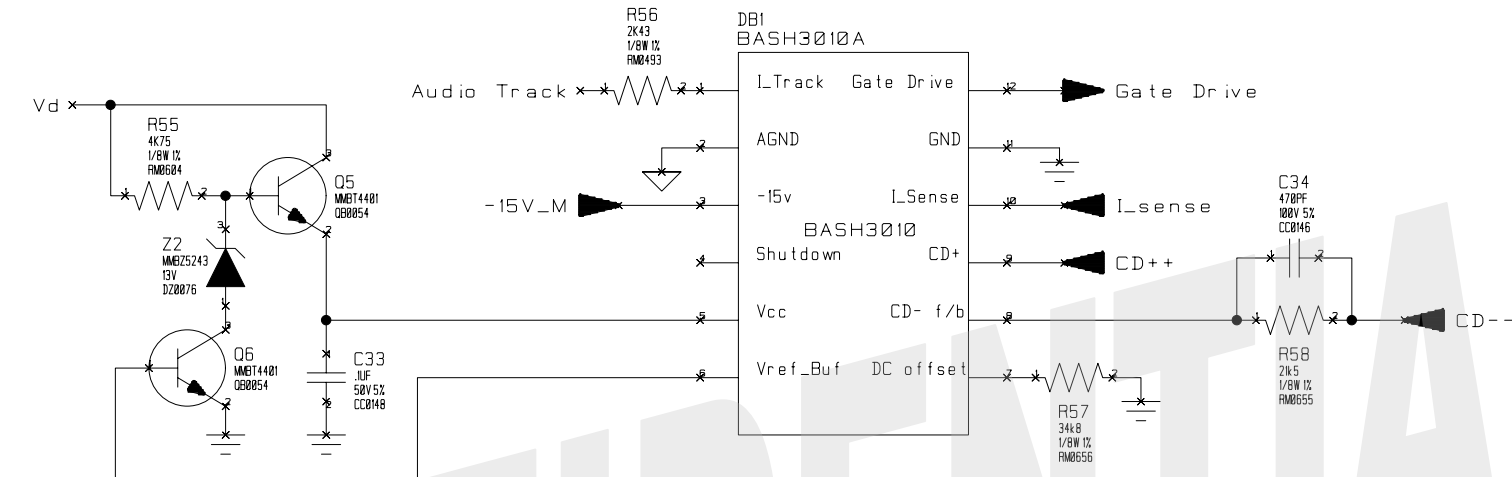


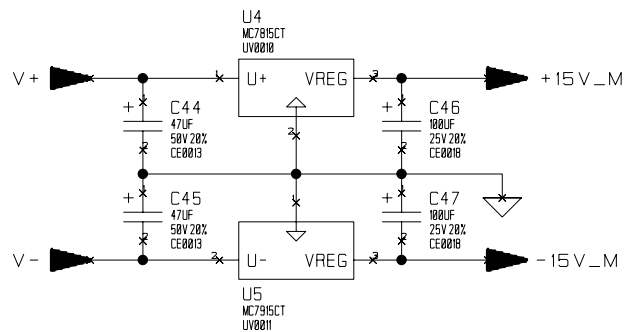
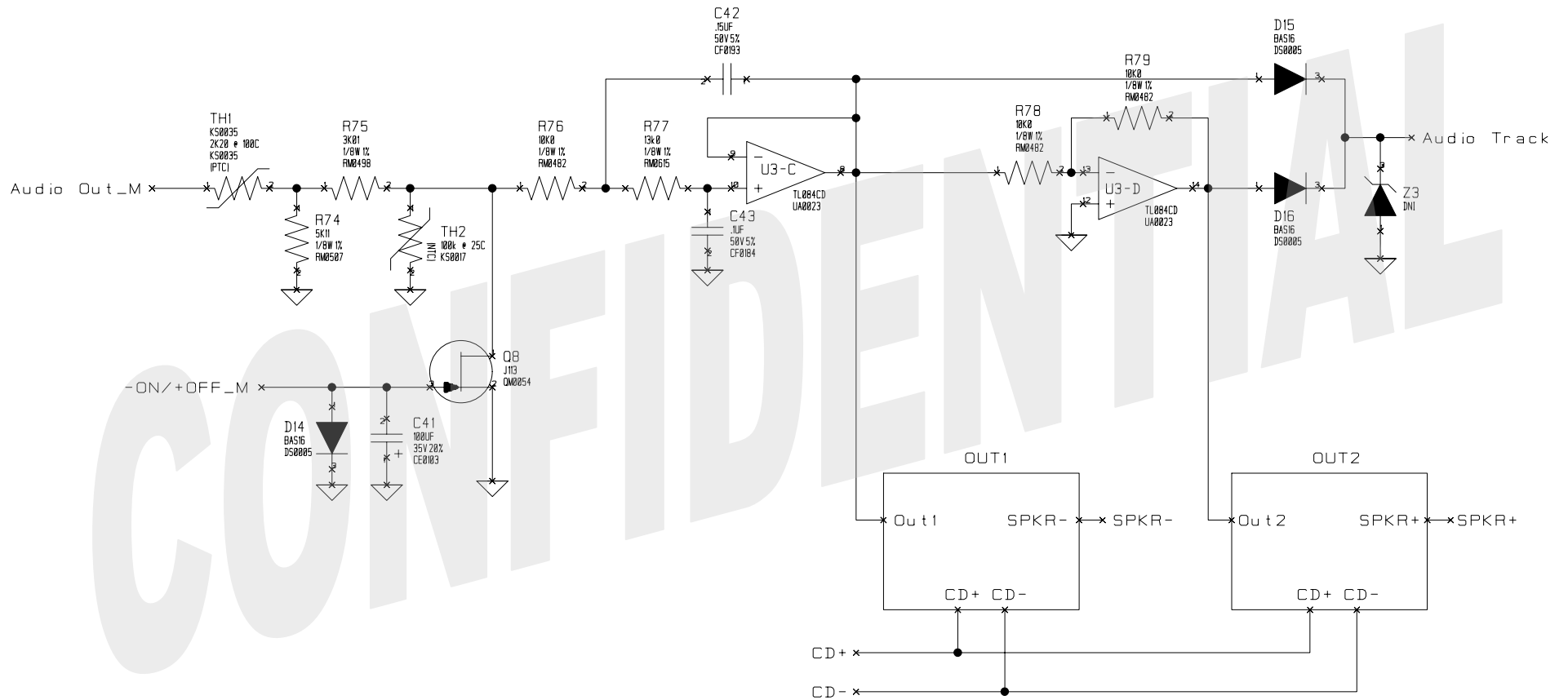
INDIGO™			
TITLE: Synergy 300W Main Board (120V)			
DRAWN: Jellazko Batchvarov	SIZE: A2	SCM NO: SH0555-0	PCB NO: 600141-0
MODIFIED: Victor Kotzev	This drawing and data embody proprietary designs and information, which is the confidential property of Indigo Manufacturing Inc. None of which shall be copied, reproduced, disclosed to others, prosed or used in whole or in part, for any purpose without express written permission of a duly authorized agen of Indigo Manufacturing Inc. This drawing is subject to recall by Indigo Manufacturing at any time. It is being submitted in the confidence, and patent rights are reserved by Indigo Manufacturing Inc.		REV:
DATE: 6/10/2005			SHEET: 1 of 8



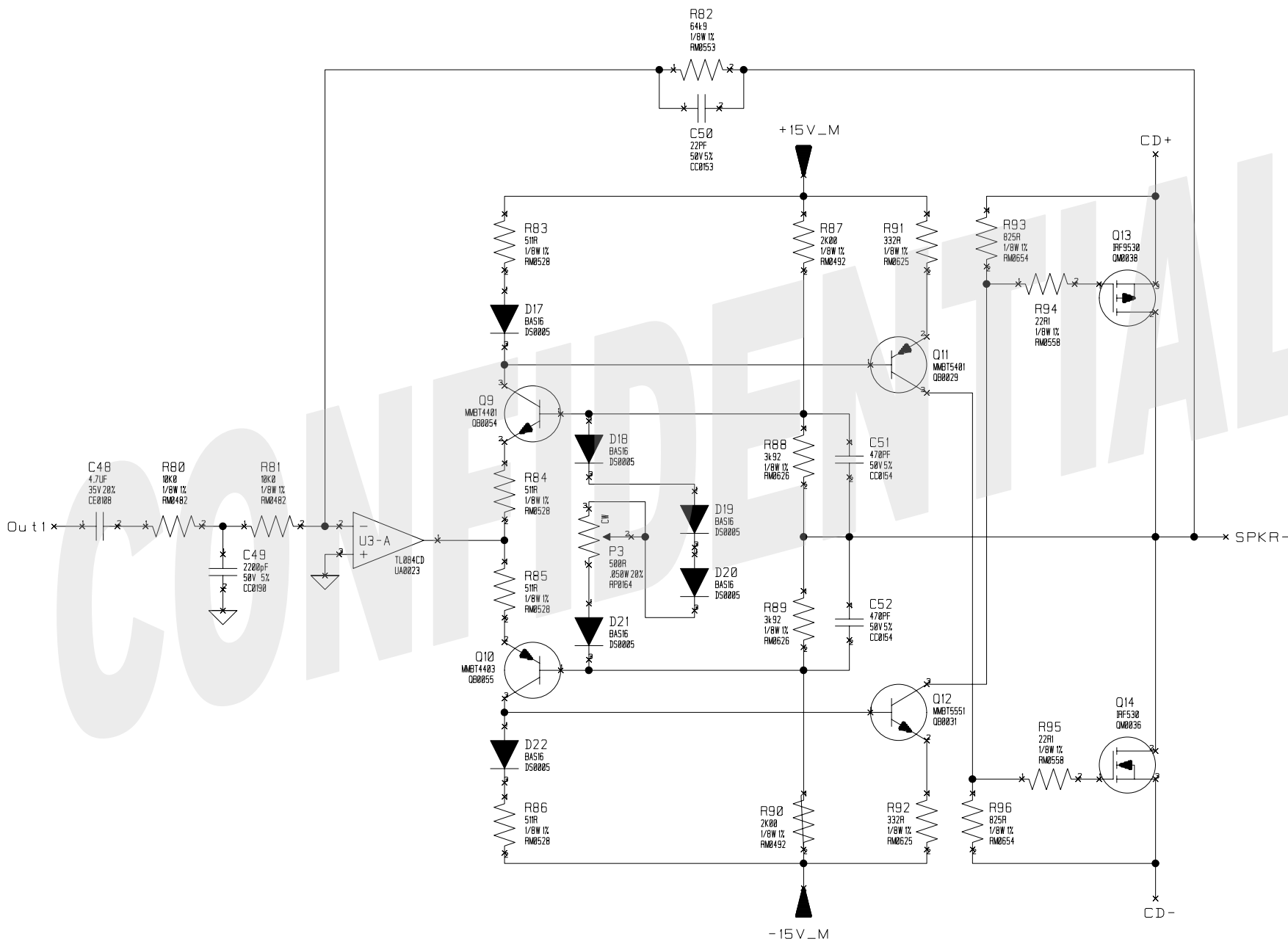
		TITLE: Power Supply		
		DRAWN: Jeliazko Batchvarov	SIZE: A2	SCM NO: SH0555-0
MODIFIED: Victor Kotzev		This drawing and data embody proprietary designs and information, which is the confidential property of Indigo Manufacturing Inc. None of which shall be copied, reproduced, disclosed to others, proposed or used in whole or in part, for any purpose without express written permission of a duly authorized agent of Indigo Manufacturing Inc. This drawing is subject to recall by Indigo Manufacturing at any time. It is being submitted in the confidence, and patent rights are reserved by Indigo Manufacturing Inc.		REV:
DATE: 6/10/2005				SHEET: 2 of 8



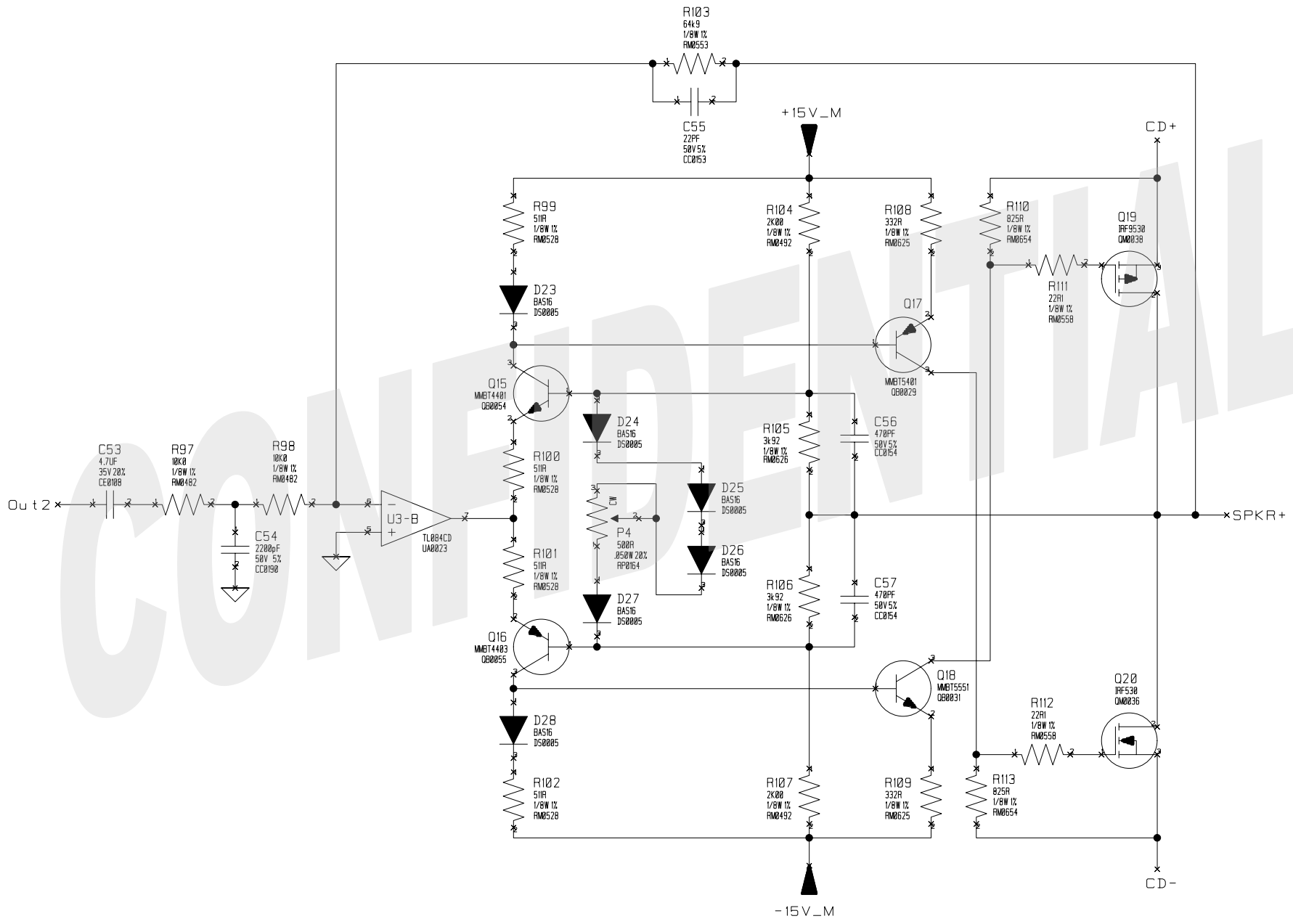
		TITLE: BASH		
		DRAWN: Jeliazko Batchvarov	SIZE: A2	SCM NO: SH0555-0
MODIFIED: Victor Kotzev		This drawing and data embody proprietary designs and information, which is the confidential property of Indigo Manufacturing Inc. None of which shall be copied, reproduced, disclosed to others, proposed or used in whole or in part, for any purpose without express written permission of a duly authorized agent of Indigo Manufacturing Inc. This drawing is subject to recall by Indigo Manufacturing at any time. It is being submitted in the confidence, and patent rights are reserved by Indigo Manufacturing Inc.		REV:
DATE: 6/10/2005				SHEET: 3 of 8



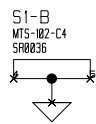
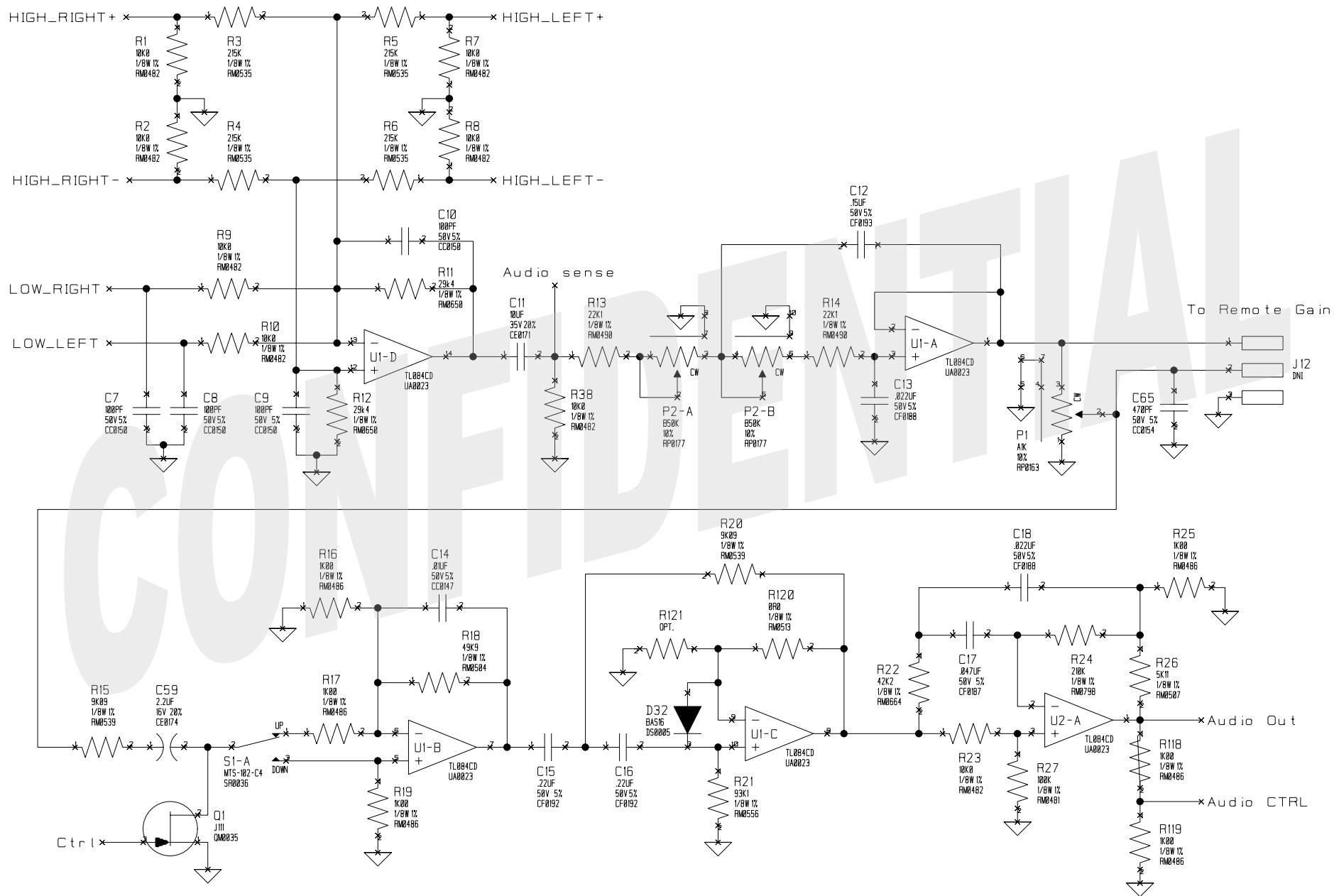
		TITLE: Power Amp		
		DRAWN: Jeliazko Batchvarov	SIZE: A2	SCM NO: SH0555-0
MODIFIED: Victor Kotzev		This drawing and data embody proprietary designs and information, which is the confidential property of Indigo Manufacturing Inc. None of which shall be copied, reproduced, disclosed to others, proposed or used in whole or in part, for any purpose without express written permission of a duly authorized agent of Indigo Manufacturing Inc. This drawing is subject to recall by Indigo Manufacturing at any time. It is being submitted in the confidence, and patent rights are reserved by Indigo Manufacturing Inc.		REV:
DATE: 6/10/2005				SHEET: 4 of 8



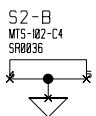
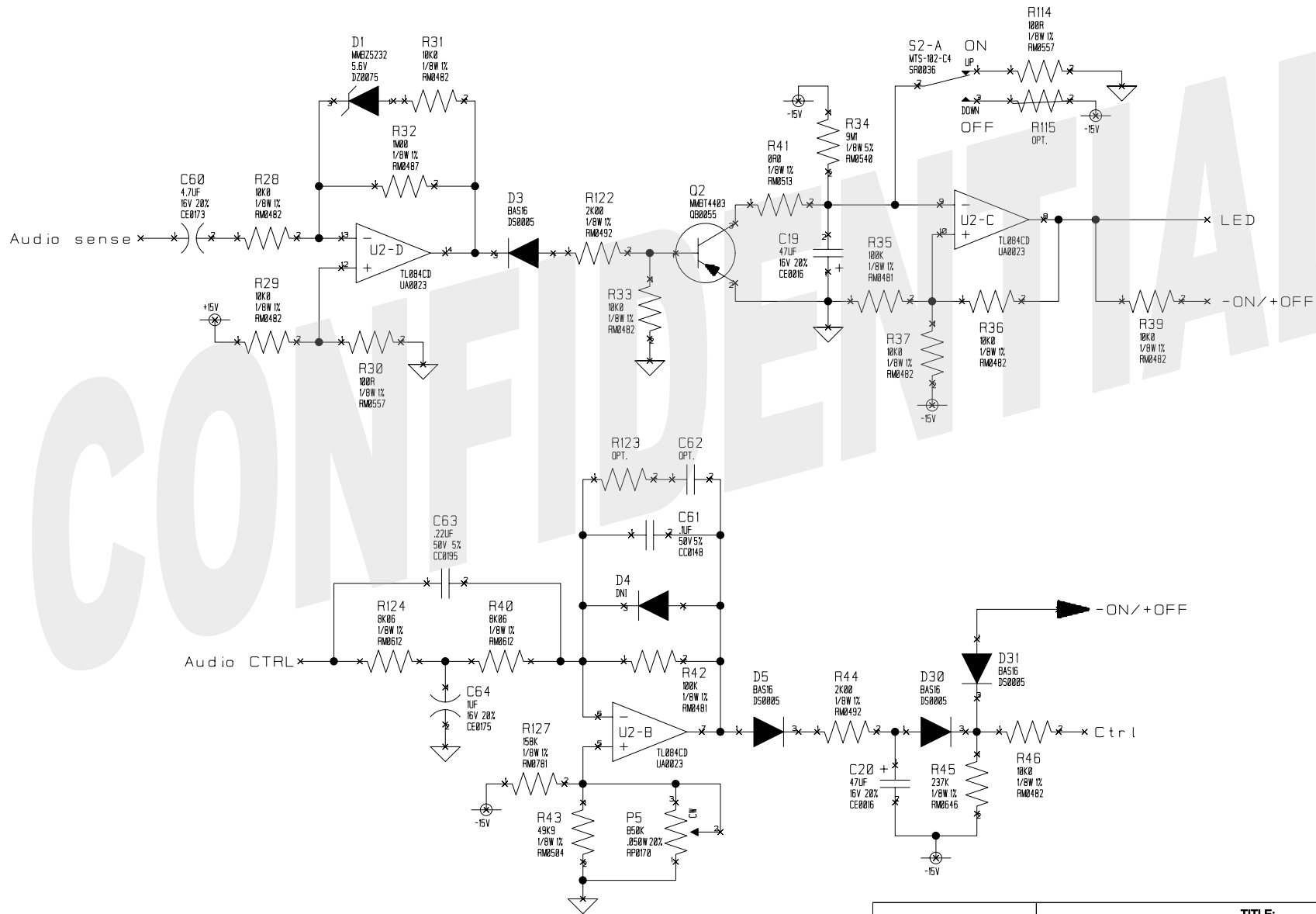
		TITLE:	
		Output 1 - SPKR-	
DRAWN: Jelizko Batchvarov	SIZE: A2	SCM NO: SH0555-0	PCB NO: 600141-0
MODIFIED: Victor Kotzev	This drawing and data embody proprietary designs and information, which is the confidential property of Indigo Manufacturing Inc. None of which shall be copied, reproduced, disclosed to others, proposed or used in whole or in part, for any purpose without express written permission of a duly authorized agent of Indigo Manufacturing Inc. This drawing is subject to recall by Indigo Manufacturing at any time. It is being submitted in the confidence, and patent rights are reserved by Indigo Manufacturing Inc.		REV:
DATE: 6/10/2005			SHEET: 5 of 8



		TITLE: Output 2 - SPKR+		
		DRAWN: Jeliuzko Batchvarov	SIZE: A2	SCM NO: SH0555-0
MODIFIED: Victor Kotzev	This drawing and data embody proprietary designs and information, which is the confidential property of Indigo Manufacturing Inc. None of which shall be copied, reproduced, disclosed to others, proposed or used in whole or in part, for any purpose without express written permission of a duly authorized agent of Indigo Manufacturing Inc. This drawing is subject to recall by Indigo Manufacturing at any time. It is being submitted in the confidence, and patent rights are reserved by Indigo Manufacturing Inc.			REV:
DATE: 6/10/2005				SHEET: 6 of 8



		TITLE: Pre-Amp		
		DRAWN: Jeliazko Batchvarov	SIZE: A2	SCM NO: SH0555-0
MODIFIED: Victor Kotzev		This drawing and data embody proprietary designs and information, which is the confidential property of Indigo Manufacturing Inc. None of which shall be copied, reproduced, disclosed to others, proposed or used in whole or in part, for any purpose without express written permission of a duly authorized agent of Indigo Manufacturing Inc. This drawing is subject to recall by Indigo Manufacturing at any time. It is being submitted in the confidence, and patent rights are reserved by Indigo Manufacturing Inc.		REV:
DATE: 6/10/2005				SHEET: 7 of 8



		TITLE: Compressor		
		DRAWN: Jeliazko Batchvarov	SIZE: A2	SCM NO: SH0555-0
MODIFIED: Victor Kotzev	This drawing and data embody proprietary designs and information, which is the confidential property of Indigo Manufacturing Inc. None of which shall be copied, reproduced, disclosed to others, proposed or used in whole or in part, for any purpose without express written permission of a duly authorized agent of Indigo Manufacturing Inc. This drawing is subject to recall by Indigo Manufacturing at any time. It is being submitted in the confidence, and patent rights are reserved by Indigo Manufacturing Inc.			REV:
DATE: 6/10/2005				SHEET: 8 of 8