

Note: SH0522 J3 is JH0002 (PIN 7,8)
 SH0467, SH0667 J3 is JH0004 (PIN 1-6) To Linear Board

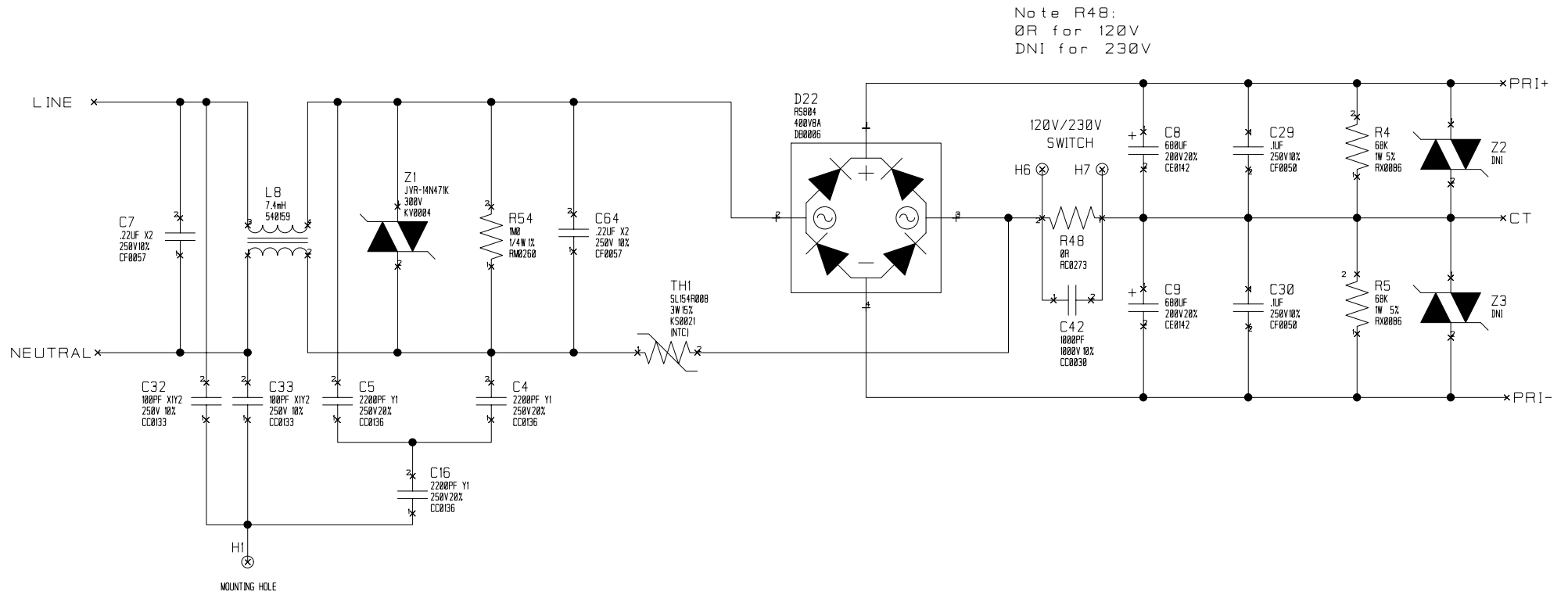
Mounting Holes
 H8 ⊗ H9 ⊗ H10 ⊗

Tooling Holes
 H4 ⊗ H5 ⊗

Note: Under T1

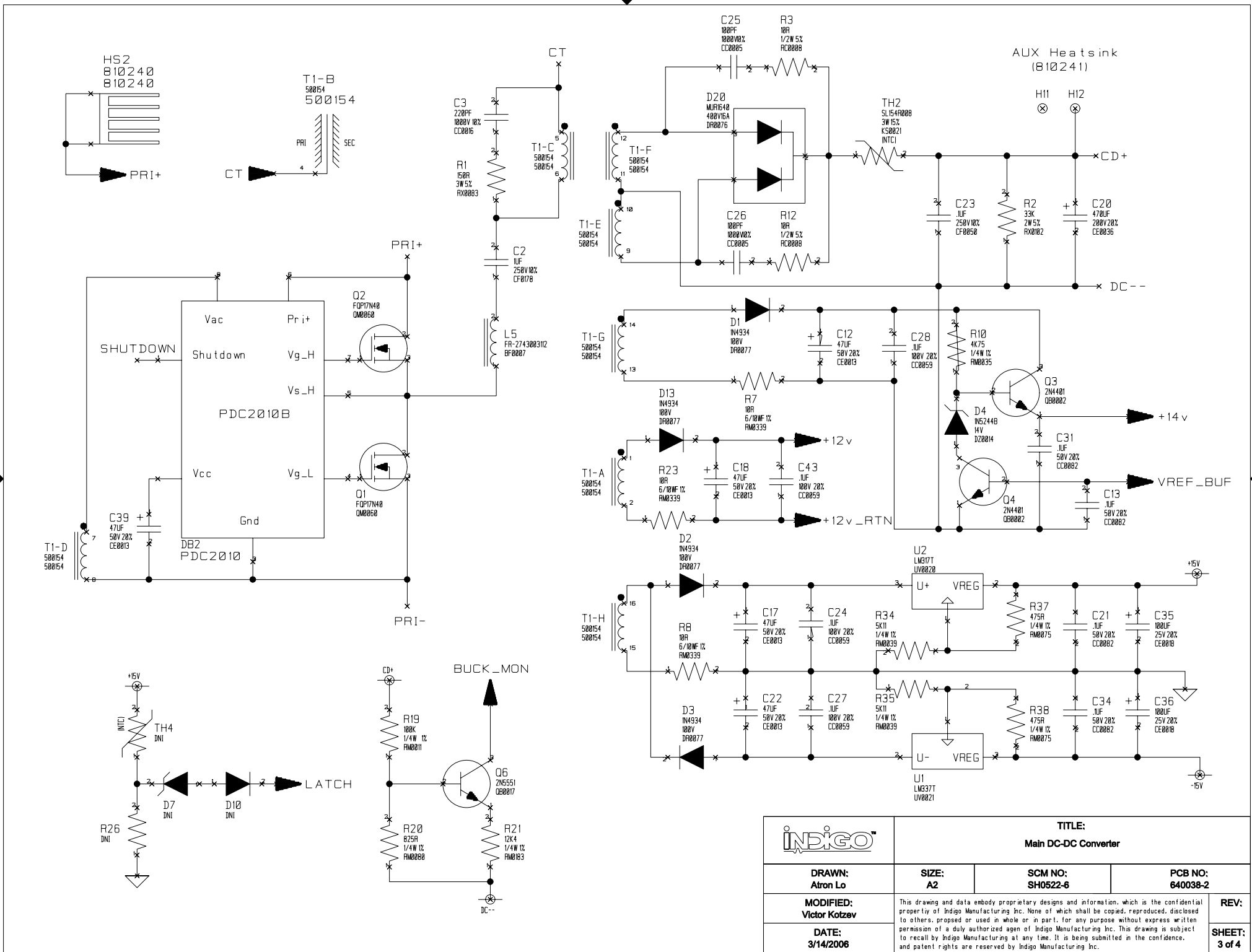
H13 ⊗ H14 ⊗ H15 ⊗ H16 ⊗ H17 ⊗ H24 ⊗
 H18 ⊗ H19 ⊗ H20 ⊗ H21 ⊗ H22 ⊗ H23 ⊗

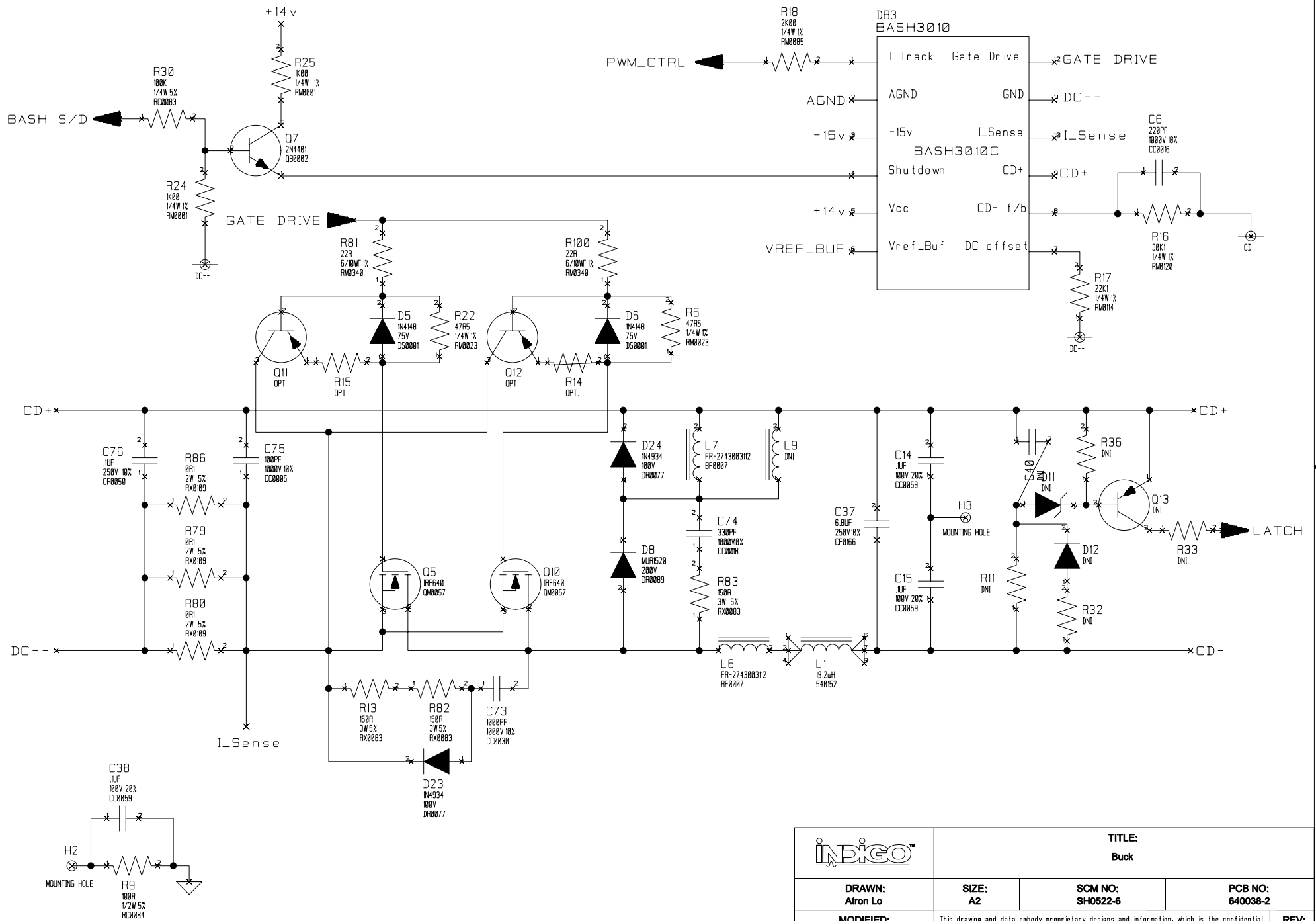
INDIGO™				TITLE: 500W Power Supply W/O Stand-By	
DRAWN: Atron Lo		SIZE: A2	SCM NO: SH0522-6	PCB NO: 640038-2	
MODIFIED: Victor Kotzev		This drawing and data embody proprietary designs and information, which is the confidential property of Indigo Manufacturing Inc. None of which shall be copied, reproduced, disclosed to others, proposed or used in whole or in part, for any purpose without express written permission of a duly authorized agent of Indigo Manufacturing Inc. This drawing is subject to recall by Indigo Manufacturing at any time. It is being submitted in the confidence, and patent rights are reserved by Indigo Manufacturing Inc.			REV:
DATE: 3/14/2006					SHEET: 1 of 4



Note R48:
 ØR for 120V
 DNI for 230V

		TITLE: EMI & AC-DC		
		DRAWN: Atron Lo	SIZE: A2	SCM NO: SH0522-6
MODIFIED: Victor Kotzev	This drawing and data embody proprietary designs and information, which is the confidential property of Indigo Manufacturing Inc. None of which shall be copied, reproduced, disclosed to others, proposed or used in whole or in part, for any purpose without express written permission of a duly authorized agent of Indigo Manufacturing Inc. This drawing is subject to recall by Indigo Manufacturing at any time. It is being submitted in the confidence, and patent rights are reserved by Indigo Manufacturing Inc.			REV:
DATE: 3/14/2006				SHEET: 2 of 4





		TITLE: Buck	
		DRAWN: Atron Lo	SIZE: A2
MODIFIED: Victor Kotzev		This drawing and data embody proprietary designs and information, which is the confidential property of Indigo Manufacturing Inc. None of which shall be copied, reproduced, disclosed to others, proposed or used in whole or in part, for any purpose without express written permission of a duly authorized agent of Indigo Manufacturing Inc. This drawing is subject to recall by Indigo Manufacturing at any time. It is being submitted in the confidence, and patent rights are reserved by Indigo Manufacturing Inc.	
DATE: 3/14/2006		REV: SHEET: 4 of 4	