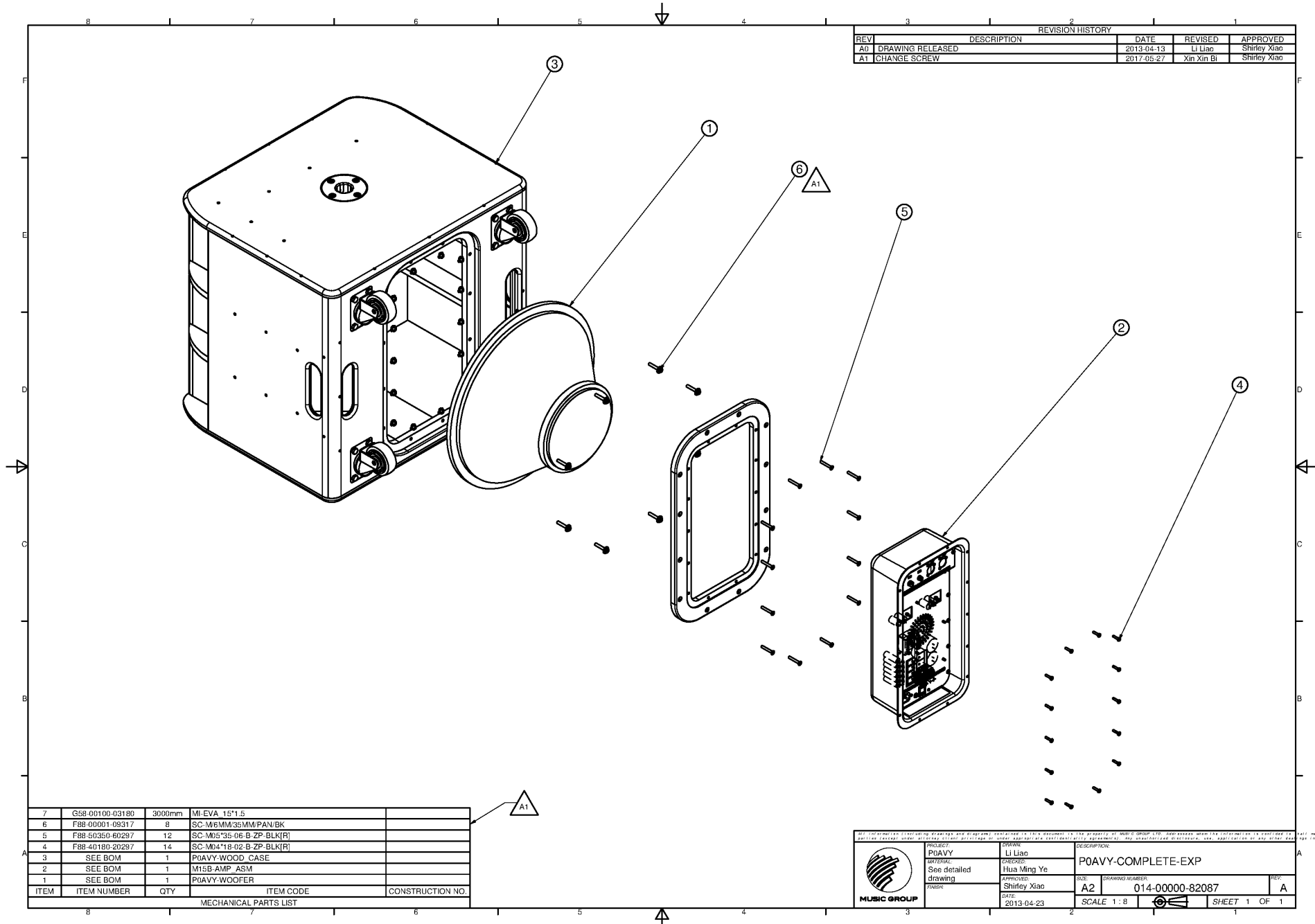


REVISION HISTORY		DATE	REVISED	APPROVED
A0	DRAWING RELEASED	2013-04-13	Li Liao	Shirley Xiao
A1	CHANGE SCREW	2017-05-27	Xin Xin Bi	Shirley Xiao



ITEM	ITEM NUMBER	QTY	ITEM CODE	CONSTRUCTION NO.
7	G58-00100-03180	3000mm	MI-EVA 15*1.5	
6	F88-00001-09317	8	SC-M6MM/35MM/PAN/BK	
5	F88-50350-60297	12	SC-M05*35-06-B ZP-BLK[R]	
4	F88-40180-20297	14	SC-M04*18-02-B ZP-BLK[R]	
3	SEE BOM	1	P0AVY-WOOD_CASE	
2	SEE BOM	1	M15B-AMP_ASM	
1	SEE BOM	1	P0AVY-WOOFER	

MECHANICAL PARTS LIST

	PROJECT:	P0AVY	DESIGNER:	Li Liao	DESCRIPTION: P0AVY-COMPLETE-EXP
	MATERIAL:	See detailed drawing	CHECKED:	Hua Ming Ye	
	APPROVED:	Shirley Xiao	DATE:	2013-04-23	
	SCALE:	1:8	DRAWING NUMBER:	014-00000-82087	
SHEET 1 OF 1		REV: A			