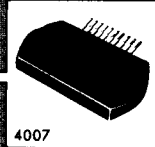


STK-084G, 086G

thick film hybrid IC

380.4



50 W min AF POWER AMP

4007

Features

- © IMST, 1 Channel by 2 Power Supply.
- AF Output Power STK-084G: 50 W min.
STK-086G: 70 W min.
- Low distortion.
- Able to add a peripheral protector.

MAXIMUM RATING/T_a=25°C

		STK-084G	STK-086G	unit
Maximum Supply Voltage	V _{CC} max	±50	±55	V
Collector Current	I _C max	—	7	A
Thermal Coefficient	θ _{j-c} (T _C =25°C)	—	1.4	°C/W
Operating Case Temperature	T _C	→	90	°C
Storage Temperature	T _{stg}	→	-30 to +105	°C
Allowable Load Shorting Time (in appointed condition)	t _s	2	—	sec

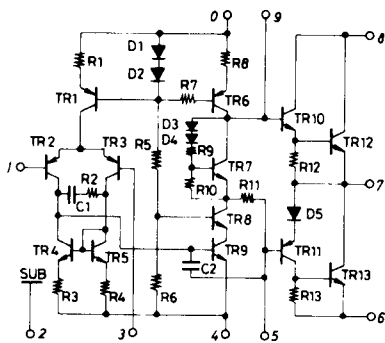
RECOMMENDED OPERATION CONDITION/T_a=25°C

		STK-084G	STK-086G	unit
Recommended Supply Voltage	V _{CC}	±35	±42	V
Load Resistance	R _L	→	8	ohm

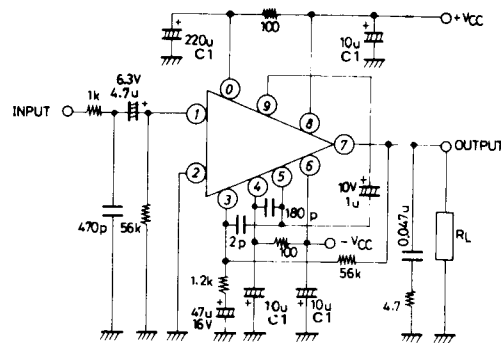
OPERATION CHARACTERISTICS/T_a=25°C, recommended V_{CC} supplied, R_L=8 ohm, R_g=600 ohm, VG=33.4 dB

			STK-084G	STK-086G	unit
Quiescent Current	I _{CCO}		→	100	mAmax
Output Power	P _o	THD=0.03%, f=20 to 20kHz	50	70	W min
Distortion	THD	P _o =0.25W, f=20 to 20kHz	→	0.05	% max
Frequency Response	f	P _o =1 W, -1 dB	→	10 to 100k	Hz
Input Resistance	r _i	P _o =1 W, f=1 kHz	→	52k	ohm

EQUIVALENT CIRCUIT



APPLICATION: AF Power Amp.



www.audiolabga.com

	C1
STK-084G	50V
STK-086G	63V

See the operation characteristics on this specification.