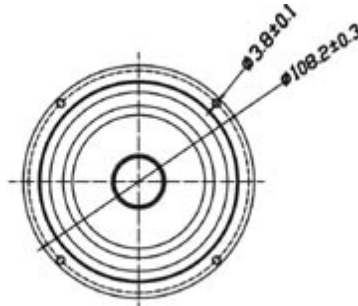
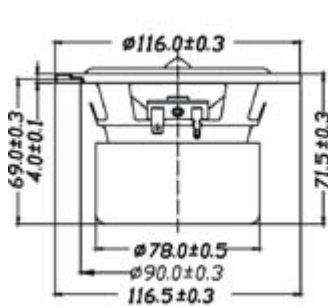


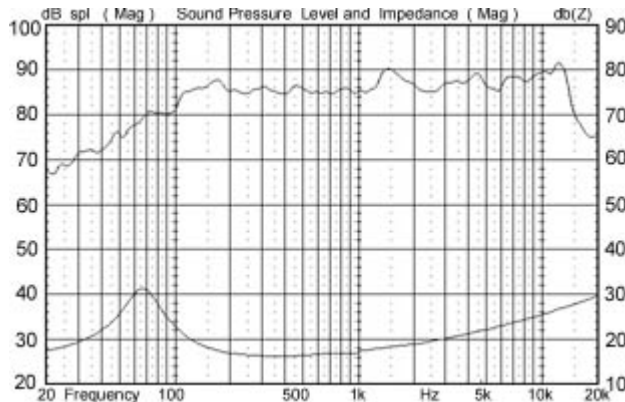
F SERIES

W4-654S



- FULL RANGE DESIGN
- HOME HI-FI, HOME THEATER, MID BASS APPLICATION
- STAMPED STEEL BASKET
- PAPER CONE WITH RUBBER SURROUND
- MAGNETICALLY SHIELDED
- ALUMINUM PHASE PLUG

4" PAPER CONE/ FULL RANGE, WOOFER



DIAPHRAGM MTL	Paper
SURROUND MTL	Rubber
NOMINAL IMPEDANCE	8 Ω
DCR IMPEDANCE	6 Ω
SENSITIVITY 1W/1m	86 dB
FREQUENCY RESPONSE	65-13K Hz
FREE AIR RESONANCE	65 Hz
VOICE COIL DIAMETER	25 mm
AIR GAP HEIGHT	4 mm
RATED POWER INPUT	40 W
MAXIMUM POWER INPUT	80 W
FORCE FACTOR, BL	4.4 TM
MAGNET WEIGHT (8 oz)	228 g
MOVING MASS	4 g
FERRO FLUID ENHANCED	No
SUSPENSION COMPL.	1347 MN ⁻¹
EFFEC.PISTON AREA	0.0057 m ²
X-max	3 mm
Vas	6.2 Litr
Qts	0.48
Qms	2.94
Qes	0.57



P.O. BOX 10-53 NEI HU, TAIPEI, TAIWAN
VOICE 886 2 26570282 FAX 886 2 26580166

CLOSE