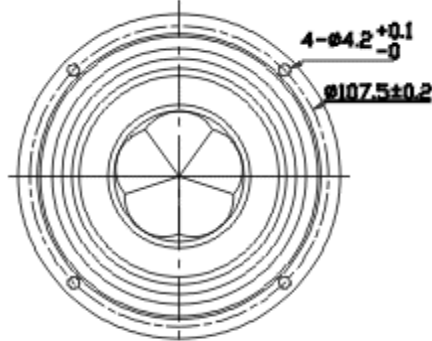
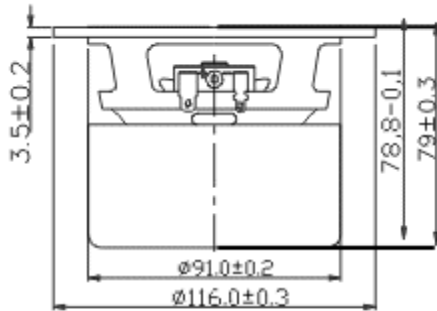


PA SERIES

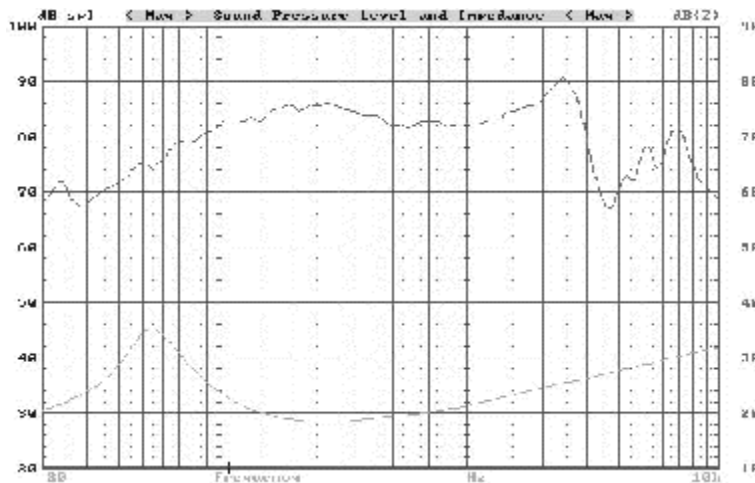
W4-992S



- LONG THROW HIGH POWER LOADING DESIGN
- EXTREMELY LINEAR EXCURSION DESIGN
- PAPER CONE WITH TWIN ROLL RUBBER SURROUND
- SUITABLE FOR MINI SUBWOOFER APPLICATION
- STAMPED STEEL BASKET, CONEX SPIDER
- VENTED POLE PIECE
- MAGNETICALLY SHIELDED

4" PAPER SUBWOOFER

DIAPHRAGM MTL	Paper
SURROUND MTL	Rubber w shape
NOMINAL IMPEDANCE	8 Ω
DCR IMPEDANCE	7 Ω
SENSITIVITY 1W/1m	85 dB
FREQUENCY RESPONSE	55 - 3K Hz
FREE AIR RESONANCE	55 Hz
VOICE COIL DIAMETER	25 mm
AIR GAP HEIGHT	6 mm
RATED POWER INPUT	45 W
MAXIMUM POWER INPUT	90 W
FORCE FACTOR, BL	6.43 TM
MAGNET WEIGHT (11oz)	305 g
MOVING MASS	7 g
FERROFLUID ENHANCED	No
SUSPENSION COMPLIANCE	1239 MN ⁻¹
EFFECTIVE PISTON AREA	0.0057 M ²
X-max	3.5 mm
Vas	5.72 Litr.
Qts	0.35
Qms	2.93
Qes	0.40



TB SPEAKERS

P.O. BOX 10-53 NEI HU, TAIPEI, TAIWAN
 VOICE 886.2.26570282 FAX 886.2.26580166