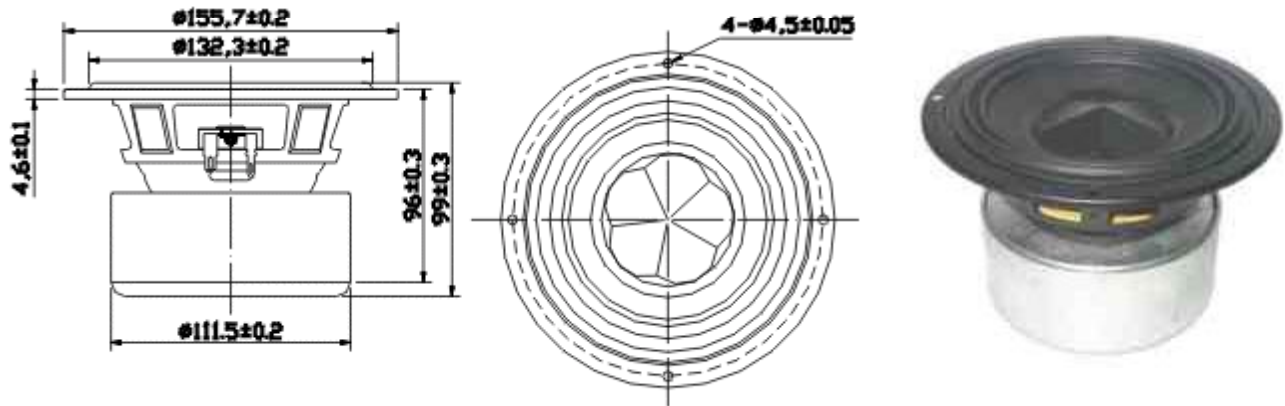


PA SERIES

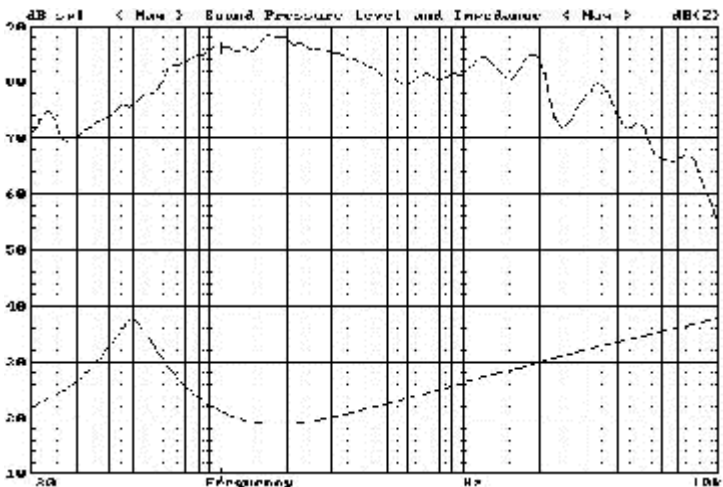
W5-876SA



- LONG THROW HIGH POWER LOADING DESIGN
- EXTREMELY LINEAR EXCURSION DESIGN
- PAPER CONE WITH TWIN ROLL RUBBER SURROUND
- STAMPED STEEL BASKET, CONEX SPIDER
- SUITABLE FOR MINI SUBWOOFER APPLICATION
- VENTED POLE PIECE
- MAGNETICALLY SHIELDED

5" PAPER WOOFER

DIAPHRAGM MTL	Paper
SURROUND MTL	Twin Roll Rubber
NOMINAL IMPEDANCE	8 Ω
DCR IMPEDANCE	6.4 Ω
SENSITIVITY 1W/1m	86 dB
FREQUENCY RESPONSE	50 -2K Hz
FREE AIR RESONANCE	50 Hz
VOICE COIL DIAMETER	32 mm
AIR GAP HEIGHT	6 mm
NOMINAL POWER	50 W
MUSIC POWER	100 W
FORCE FACTOR, BL	9.92 T M
MAGNET WEIGHT	(20 oz) 540 g
MOVING MASS	17 g
FERROFLUID ENHANCED	No
SUSPENSION COMPLIANCE	568 MN ⁻¹
EFFECTIVE PISTON AREA	0.0094 m ²
X-max	5 mm
Vas	7.13 Liter
Qts	0.33
Qms	3.90
Qes	0.36



TB SPEAKERS

P.O. BOX 10-53 NEI HU, TAIPEI, TAIWAN
VOICE 886.2.26570282 FAX 886.2.26580166